



**IW-22**

in-wall docking system for iPod  
with RS-232 and IR control

By recognizing early-on the need for integrating audio and video content from the iPod® and iPhone® into residential A/V systems, iPort® created the industry standard for controlling and playing iPod content. iPort is the only iPod and iPhone solution that works flawlessly and seamlessly with a large variety of leading local-zone audio systems, home automation systems, and A/V control systems, providing integrators the ultimate flexibility for including iPods and iPhones as A/V sources in their projects.

The iPort IW-22's RJ-45 modular connections deliver balanced audio up to 500 feet and unbalanced video up to 30 feet. iPort's integrated RS-232 allows compatible control systems to control the iPod/iPhone with two-way communication (including iPod metadata). An IR control connection allows control of most iPod/iPhone audio functions by compatible IR control systems, and the illuminated LED on the faceplate allows IR control of essential iPod menu and playback functions by an optional iPort EX-1 remote. The included wall plates provide stereo RCA audio and S-video, component, and composite video connections, RS-232 and IR control connections, and connections for the included regulated DC power supply. The IW-22 accepts all Apple dock connector iPod models, and includes a back support, — a rubberized adjustment disc that compensates for the varying thicknesses of different iPod models.

### iPort IW-22 Features

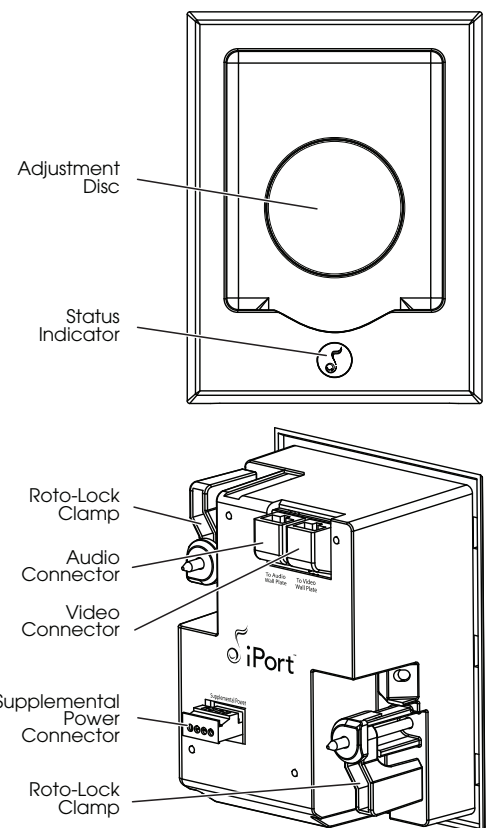
- Delivers balanced audio up to 500 feet from the iPort.
- Built-in preamplifier allows variable volume control via IR and RS-232.
- Delivers unbalanced video up to 30 feet from iPort.
- IR connection allows remote control of most iPod/iPhone audio functions.
- Integrated RS-232 control enables two-way communication (including iPod program metadata) and control of the iPod/iPhone via compatible control systems.
- Regulated DC power supply charges the iPod/iPhone while it is docked.
- Designed for easy docking/undocking of iPod
- Connects to wall plates with Cat5 cables via RJ-45 connectors
- Easy to install via Roto-Lock® mounting clamps
- Paintable flange

### IW-22 Includes

- (1) iPort dock (faceplate and utility box)
- (1) Balanced audio wall plate
- (1) Balanced audio sender plug-in circuit card
- (1) RS-232 control plug-in circuit card and RS-232 cable
- (1) Unbalanced video wall plate and cable
- (1) Regulated power supply with USA plug

### Available IW-22 Upgrades

- Optional Balanced Video Upgrade Kit delivers video up to 500 feet from the iPort.



### Compatibility

Compatible with most dockable iPhone\* and iPod models, including iPod nano 4th gen, iPod classic 120GB and iPod touch 2nd gen. For current compatibility information, visit [iportmusic.com](http://iportmusic.com).

### iPort

212 Avenida Fabricante  
San Clemente, CA USA  
1.888.45.iPort  
[iportmusic.com](http://iportmusic.com)

