

# Operating Manual



*CS-910/920/930/940 Indoor Column Speaker*



**interM**

# Contents

<b>Welcome</b>	
Warning.....	1
Unpacking.....	2
<b>Installation</b>	
Environment.....	2
Important Safety Instructions.....	2
<b>Features.....</b>	<b>3</b>
<b>Setup and Operation.....</b>	<b>3</b>
<b>Connecting your Speaker System.....</b>	<b>4</b>
Choosing the Correct Speaker Cable.....	4
Speaker Connection Procedures.....	4
Maintaining Proper Polarity.....	5
Choosing the Correct Amplification.....	5
Using Multiple Loudspeakers.....	5
<b>Polar Pattern Diagram.....</b>	<b>6</b>
<b>Frequency Response.....</b>	<b>7</b>
<b>Matching Transformer.....</b>	<b>7</b>
<b>Specifications.....</b>	<b>8</b>
<b>Service</b>	
Procedures.....	9
Schematic.....	9
Parts List.....	9
<b>Variations and Options.....</b>	<b>9</b>
<b>Warranty.....</b>	<b>9</b>

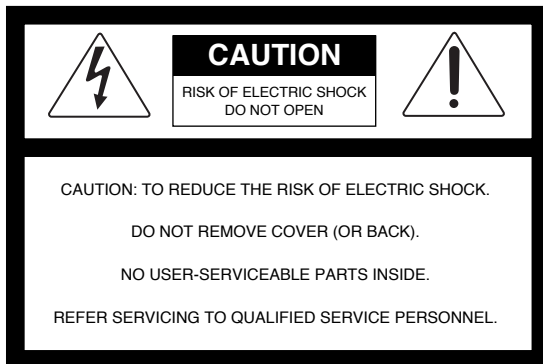
# Welcome

## A personal welcome to you from the management and employees of Inter-M

All of the co-workers here at Inter-M are dedicated to providing excellent products with inherently good value, and we are delighted you have purchased one of our products.

We sincerely trust this product will provide years of satisfactory service, but if anything is not to your complete satisfaction, we will endeavor to make things right.

Welcome to Inter-M, and thank you for becoming part of our worldwide extended family!



### WARNING

To prevent fire or shock hazard, do not expose the unit to rain or moisture.

\*Do not install this equipment in a confined space such as a book case or similar unit.

\*The apparatus shall not be exposed to dripping or splashing and no objects filled with liquids, such as vases, shall be placed on the apparatus.

\*Worded: "WARNING FOR YOUR PROTECTION PLEASE READ THE FOLLOWING-WATER AND MOISTURE: Unit should not be used near water(e.g. near a bathtub, washbowl, kitchen sink, laundry tub, in a wet basement, or near a swimming pool, etc). Care should be taken so that objects do not fall and liquids are not spilled into the enclosure through openings."



This symbol is intended to alert the user to the presence of uninsulated "dangerous voltage" within the product's enclosure that may be of sufficient magnitude to constitute a risk of electric shock to persons.



This symbol is intended to alert the user to the presence of important operation and maintenance (servicing) instructions in the literature accompanying the appliance.

Caution: To prevent electric shock do not use this (polarized) plug with an extension cord, receptacle or other outlet unless the blades can be fully inserted to prevent blade exposure.

Attention: Pour prévenir les chocs électriques ne pas utiliser cette fiche polarisée avec un prolongateur, une prise de courant ou une autre sortie de courant, sauf si les lames peuvent être insérées à fond sans en laisser aucune partie à découvert.

## Unpacking

Although your CS-910/920/930/940 Column Speaker is neither complicated nor difficult to operate, we recommend you take a few minutes to read this brief manual and familiarize yourself with the important information regarding product features, setup and operation.

We strongly recommend you retain the original packaging. In the unlikely event the product must be returned for servicing, the original packaging (or reasonable equivalent) is required.

## Installation

### Environment

Never place this product in an environment which could alter its performance or reduce its service life. Such environments usually include high levels of heat, dust, moisture, and vibration.

### Important Safety Instructions

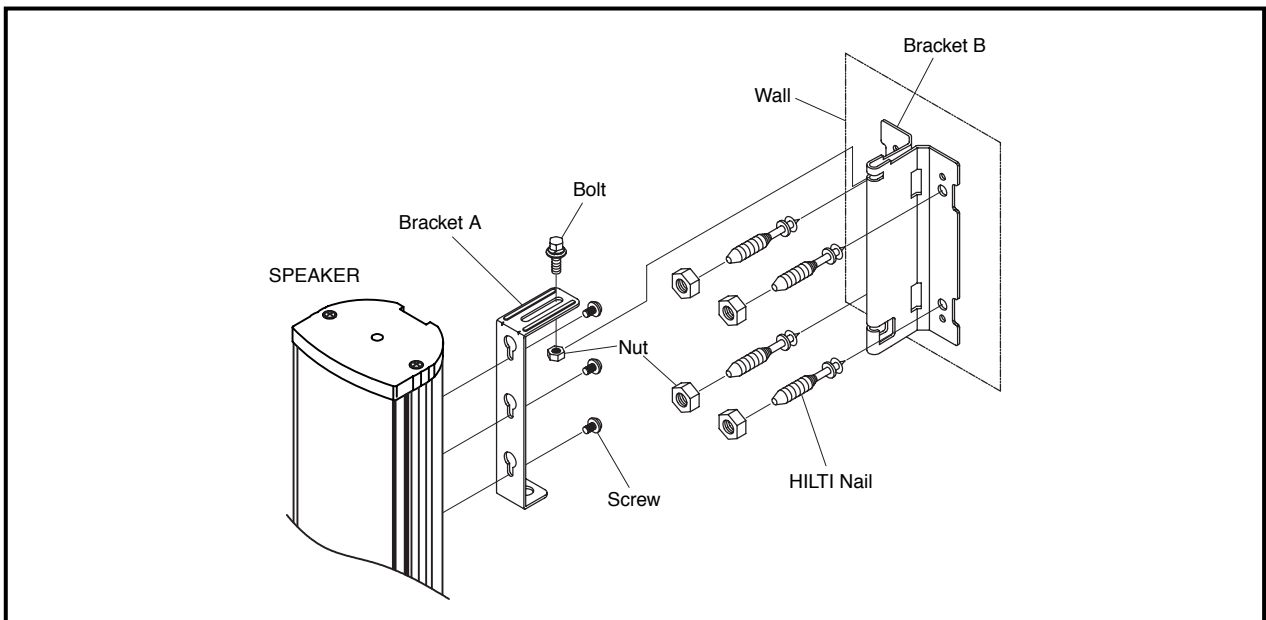
1. Read these instructions.
2. Keep these instructions.
3. Heed all warnings.
4. Follow all instructions.
5. Do not use this apparatus near water.
6. Clean only with dry cloth.
7. Do not block any ventilation openings. Install in accordance with the manufacturer's instructions.
8. Do not install near any heat sources such as radiators, heat registers, stoves, or other apparatus (including amplifiers) that produce heat.
9. Do not defeat the safety purpose of the polarized or grounding-type plug. A polarized plug has two blades with one wider than the other. A grounding type plug has two blades and a third grounding prong. The wide blade or the third prong are provided for your safety. If the provided plug does not fit into your outlet, consult an electrician for replacement of the obsolete outlet.
10. Protect the power cord from being walked on or pinched particularly at plugs, convenience receptacles, and the point where they exit from the apparatus.

## Features

- **DESIGNED FOR INDOOR USE**  
Sleek, stylish design blends with most indoor environments.
- **DURABILITY**  
Aluminum alloy construction and anti-rust coating for long life and durability.
- **HIGH EFFICIENCY TWO-WAY DESIGN**  
Full-range two-way speaker system and matching transformer for high efficiency PA system performance.
- **EASY INSTALLATION**  
Installs easily with included bracket.

## Setup and Operation

After unpacking your CS-910/920/930/940 Indoor Column Speaker, attach the speaker to a wall or other secure surface with the supplied mounting bracket. The illustration below shows the preferred method of securing the speaker.



**WARNING:** under no circumstances should any loudspeaker be mounted or suspended in a public place unless the mounting method has been approved and certified by a qualified engineer. Failure to properly secure the system can result in damage to the unit or personal injury.

## Connecting your Speaker System

*Always switch off the power to the amplifier before connecting speakers.*

### Choosing the Correct Speaker Cable

It is important to choose cabling designated for audio use and good quality connectors. Using guitar cable or zip cord (designed for lamps and other electrical use) or poor quality connectors will degrade your loudspeakers' audio performance. For distributed loudspeaker systems, we recommend stranded twisted pair speaker cable with an overall vinyl jacket (plenum rated when installed in required installations).

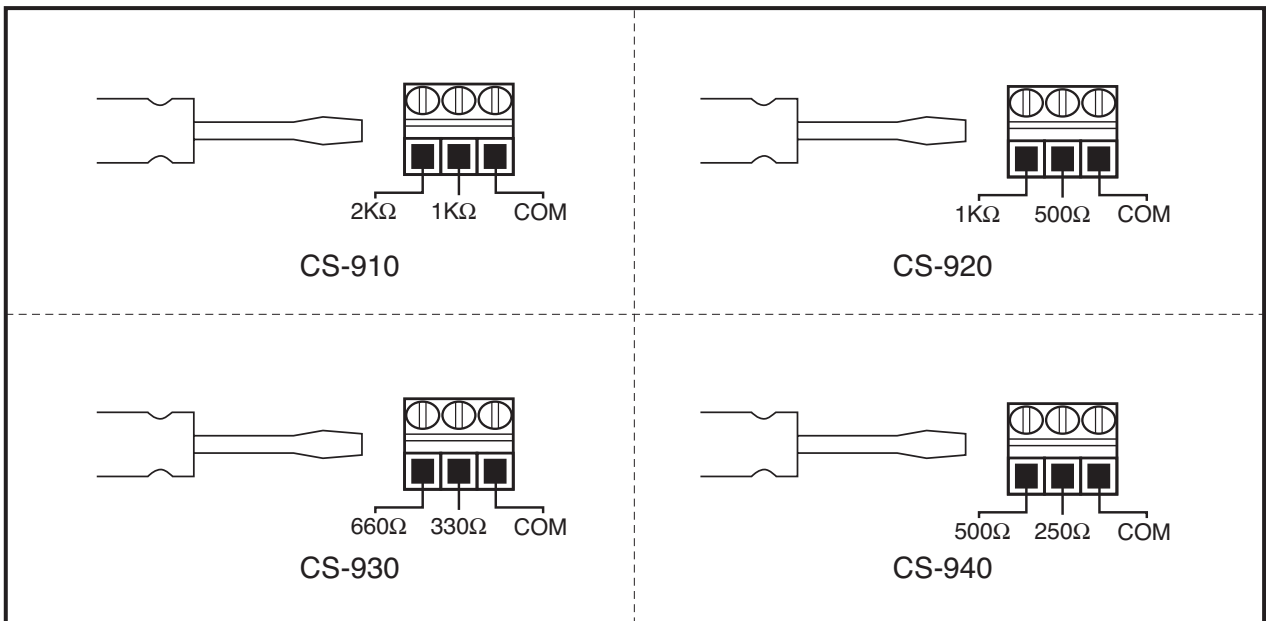
Always use the appropriate gauge of speaker cable. For cable runs of less than 25 feet (7.5 meters), 18-gauge cable is adequate. For longer cables, we suggest 16-gauge stranded cable.

### Speaker Connection Procedures

After removing approximately 10mm (1/4-inch) of insulation from the ends of the speaker cables, twist the strands tightly and then twist together with the distribution cable(s), using an appropriate cable connector.

Make certain the wires do not protrude from the cable connector and touch any metal on the speaker chassis, or any other adjacent metal.

Connect speaker wires to the appropriate terminals for your mode of operation, as shown in the illustration below.



### **Maintaining Proper Polarity**

It is very important to wire your speakers consistently in order to maintain proper polarity. All quality cables are manufactured with clear markings to identify the different conductors – normally by color-coding, printed markings, or textured ribbing on the cable’s jacket material. Failing to do so will cause your speakers to operate out of phase, resulting in significantly reduced low-frequency output from your system.

### **Choosing the Correct Amplification**

When selecting an amplifier for use with your distributed speaker system, it is important to choose an amplifier that has sufficient power output.

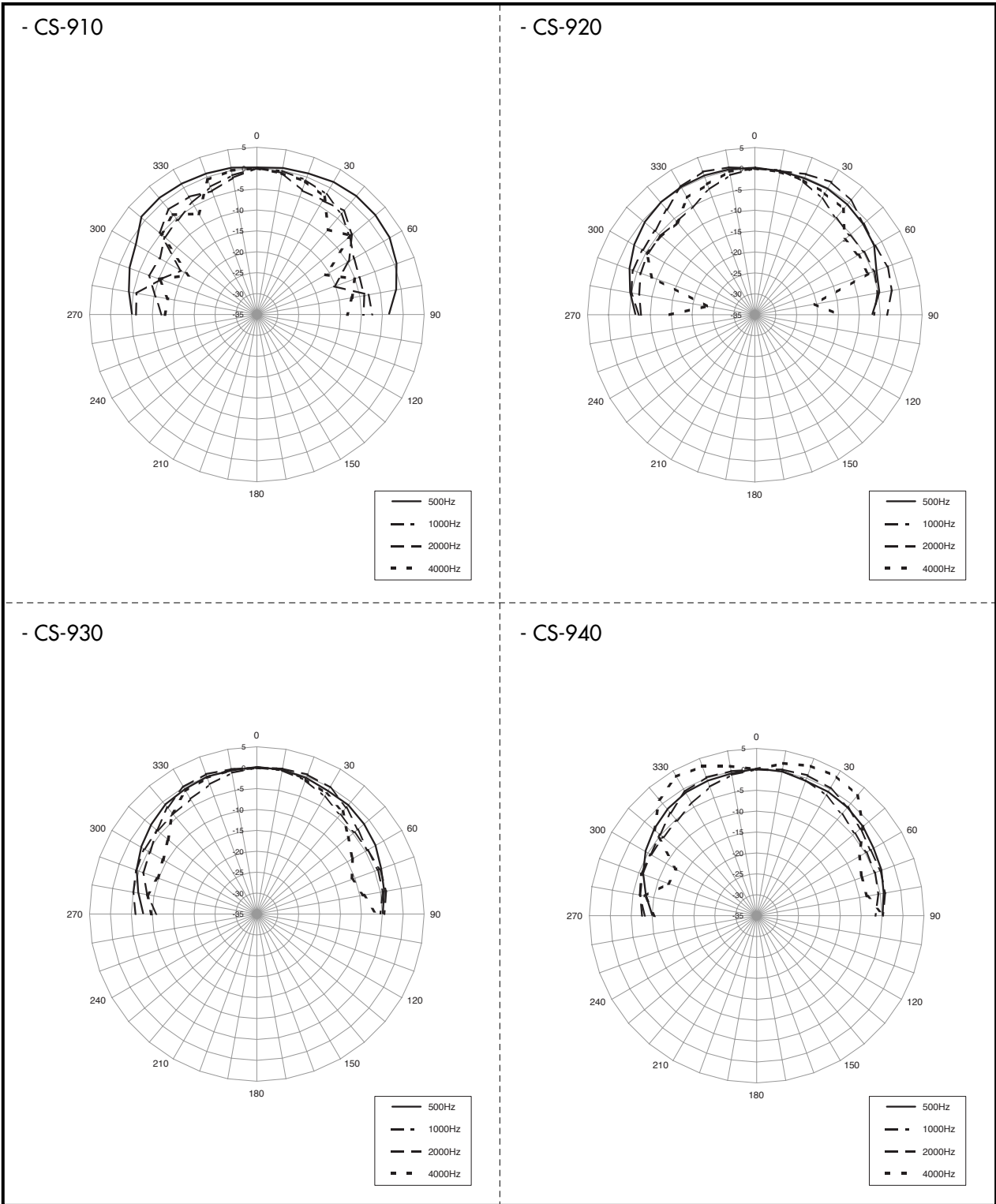
Choosing an amplifier that does not have adequate rated power may result in pushing the amp beyond its limits, producing distortion or “clipping” of the signal. This can irritate the listener and may cause damage to the speaker.

Choosing an amplifier that is over-powered can result in over-driving the speaker system.

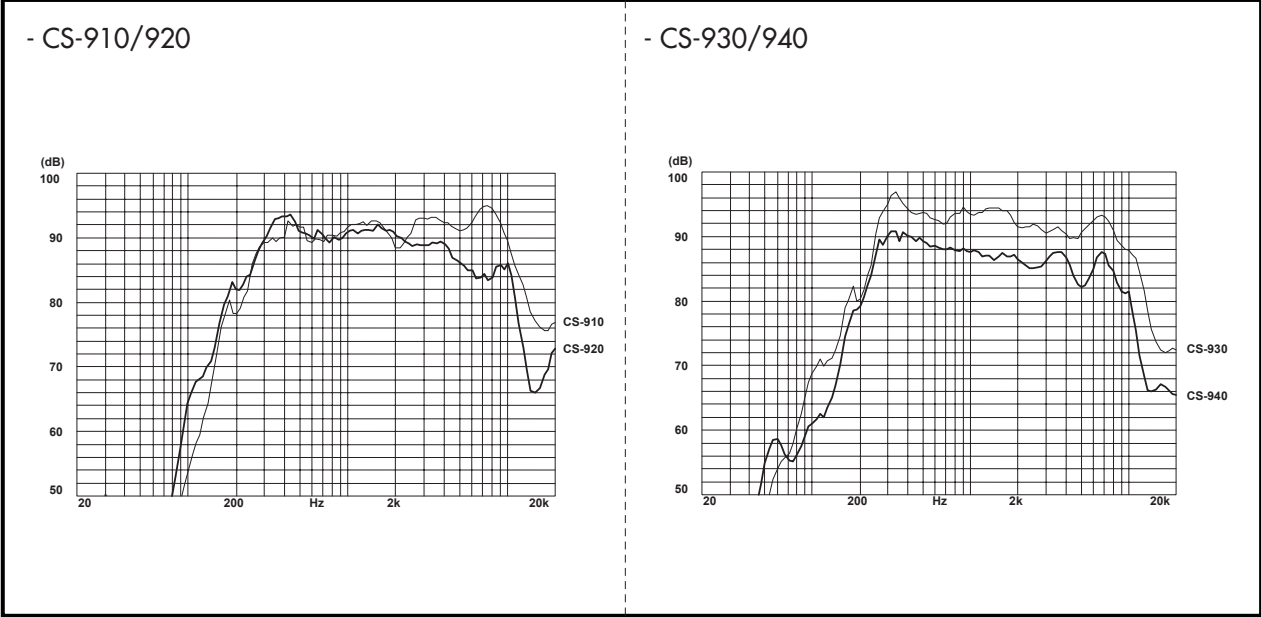
### **Using Multiple Loudspeakers**

It is important to consider the overall speaker load (impedance) when connecting distributed speaker systems to an amplifier. Some distributed loudspeakers are marked in load impedance; others show the wattage taps. Whatever the case, it is easy to compute the total impedance (or wattage load) that is possible for a given amplifier.

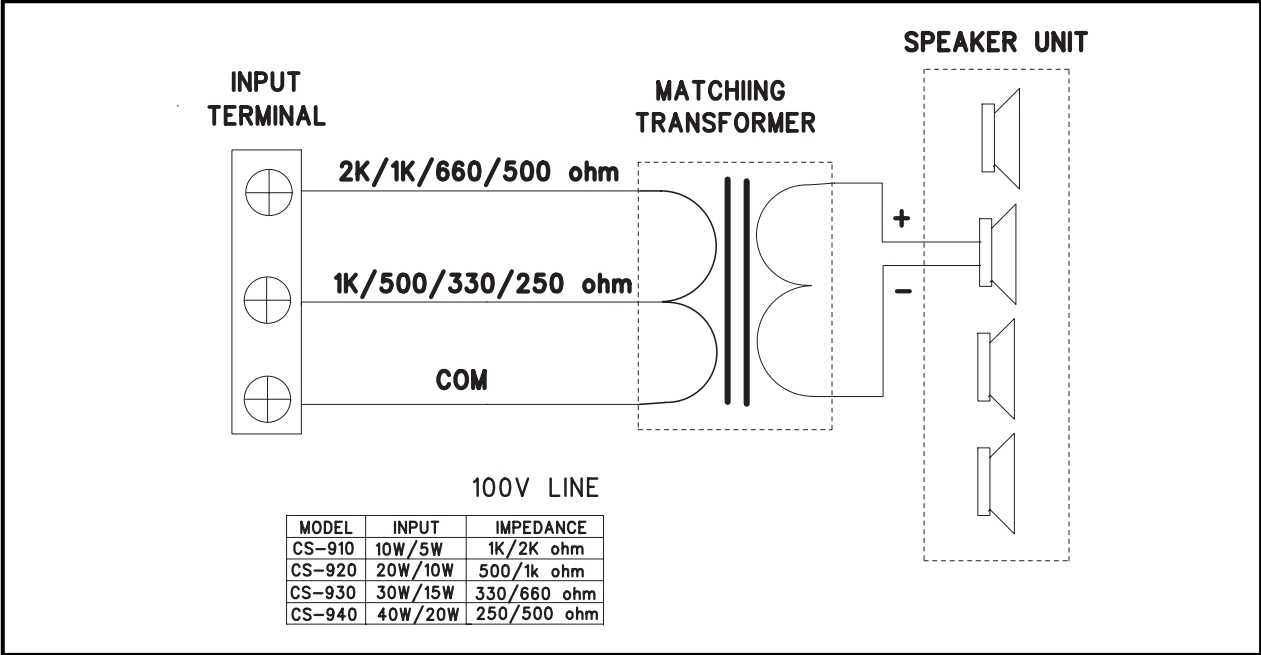
# Polar Pattern Diagram



# Frequency Response



# Matching Transformer



## Specifications

**- ELECTRICAL**

Rated Input .....	CS-910:10W CS-920:20W CS-930:30W CS-940:40W
Impedance .....	CS-910:1kΩ/2kΩ CS-920:500Ω/1kΩ CS-930:330Ω/660Ω CS-940:250Ω/500Ω
Frequency Response .....	250Hz-14kHz
SPL (1W/1m).....	CS-910:88dB CS-920:90dB CS-930:91dB CS-940:93dB

**- GENERAL**

Casing .....	Aluminum
Weight.....	CS-910:1.4kg / 3.08lb CS-920:2.5kg / 5.5lb CS-930:3.6kg / 7.9lb CS-940:4.7kg / 10.4lb
Dimensions.....	CS-910:104(W) x 300(H) x 86(D)mm/4.1(W) x 11.8(H) x 3.4(D)in CS-920:104(W) x 478(H) x 86(D)mm/4.1(W) x 18.8(H) x 3.4(D)in CS-930:104(W) x 656(H) x 86(D)mm/4.1(W) x 25.8(H) x 3.4(D)in CS-940:104(W) x 834(H) x 86(D)mm/4.1(W) x 32.8(H) x 3.4(D)in

\* Specifications and design subject to change without notice.

## Service

### Procedures

Take steps to insure the problem is not related to operator error or other products within the system. Information provided in the troubleshooting portion of this manual may help with this process. Once it is certain that the problem is related to the product contact your warranty provider as described in the warranty section of this manual.

### Schematic

A Schematic is available by contacting your warranty provider.

### Parts List

A Parts List is available by contacting your warranty provider.

## Variations and Options

### Variations

Products supplied through legitimate sources are compatible with local AC power requirements.

### Options

No optional items are available for this product.

## Warranty

Warranty terms and conditions vary by country and may not be the same for all products. Terms and conditions of warranty for a given product may be determined first by locating the appropriate country which the product was purchased in, then by locating the product type.

To obtain specific warranty information and available service locations contact Inter-M directly or the authorized Inter-M Distributor for your specific country or region.



Inter-M, Ltd. (Korea) began operations in 1983.

Since then, Inter-M has grown to become one of the largest manufacturers of professional audio and commercial sound electronics equipment in the world.

Inter-M has gained worldwide recognition for its own branded products, as well as private label manufacturing of electronics sold under other names (OEM).

The company is no longer just a Korean company, but rather a global company that is truly international in scope, with factories and offices in Korea and China, and sales and marketing operations located in Japan, Europe, and the U.S.A.

With more than 850 employees around the globe, Inter-M is well-poised for further growth and expansion.

**INTER-M AMERICAS, INC.**

1 EAST BEACON LIGHT LANE CHESTER, PA USA 19013-4409

TEL : (610) 874-8870, FAX : (610) 874-8890

Home Page : <http://www.inter-m.net>, E-mail : [service@inter-m.net](mailto:service@inter-m.net)

**INTER-M Corporation**

SEOUL OFFICE:653-5 BANGHAK-DONG, DOBONG-KU, SEOUL, KOREA

TEL : 82-2-2289-8140~8, FAX : 82-2-2289-8149

Home Page : <http://www.inter-m.com>, E-mail : [export@inter-m.com](mailto:export@inter-m.com)

MADE IN KOREA  
December 2004 9007105520