



Sonance Symphony®  
S623SSTR Speaker



## Sonance Symphony® Series

# Single-StereoTechnology® and SRS1

Sonance Symphony SSTR® speakers feature Single-Stereo Technology® that combines the outputs of your amplifier's left and right stereo channels to play both signals from just one speaker. The Single-Stereo Technology line now includes a rectangular model (S623SST) that expands installation opportunities.

Symphony SST/SSTR speakers are ideal for use in hallways, bathrooms, closets, or any location where a pair of stereo speakers would be impractical. Their innovative fully-pivoting design delivers outstanding musical performance from a wide variety of challenging installation locations.

The SRS1 is designed to create a diffuse, enveloping soundfield that is ideal for home theater surround channel applications.

## Features:

- **SSTR/SST models feature Single Stereo Technology® — reproducing left & right stereo channels from a single speaker — ideal for use in areas where space is limited.**
- **Round (-SSTR) and rectangular (-SST) footprints provide installation flexibility to compliment a wide variety of décor.**
- **Fully-pivoting woofers (SSTR/SRS1) direct the sound at listeners for clear sound even when speaker placement options are limited.**
- **A 3-position tweeter adjustment switch lets you balance the speaker's high-frequency energy to better compliment your room's setup and acoustics (S623SSTR).**
- **SRS1 creates a diffuse, enveloping soundfield that is ideal for home theater surround channel use.**
- **The RotoLock® mounting system makes installation quick and easy.**
- **Exclusive new FastMount® tabs hold speaker in the mounting hole during installation, allowing installer to let go of the speaker to pick-up tools or other items.**

## Specifications:

### S623SSTR

Tweeter:	Two 1" (25mm) Silk domes, Ferrofluid-cooled
Woofers:	6½" (165mm) Carbon fiber cone, dual voice coil, rubber surround, pivoting
Frequency Response:	43Hz – 20kHz ±3dB
Impedance:	8 Ohms nominal; 6 Ohms minimum
Power Handling:	5 watts minimum; 135 Watts maximum
Sensitivity:	90dB SPL (2.83V 1 meter)
Grille Material:	Perforated aluminum
Adjustments:	±3dB Tweeter level
Dimensions (Dia. x Depth):	9¾" x 5¾" (248mm x 132mm)
Cutout Diameter:	8 5/32" (207mm)
Shipping Weight:	5 lbs. (2.3kg) Each

### S621SSTR

Tweeter:	Two ¾" (19mm) Silk domes, Ferrofluid-cooled
Woofers:	6½" (165mm) Polypropylene cone, dual voice coil, rubber surround, pivoting
Frequency Response:	50Hz – 20kHz ±3dB
Impedance:	8 Ohms nominal; 6 Ohms minimum
Power Handling:	5 watts minimum; 100 Watts maximum
Sensitivity:	88dB SPL (2.83V 1 meter)
Grille Material:	Perforated aluminum
Adjustments:	None
Dimensions (Dia. x Depth):	9¾" x 5¾" (248mm x 132mm)
Cutout Diameter:	8 5/32" (207mm)
Shipping Weight:	4.5 lbs. (2.0kg) Pair

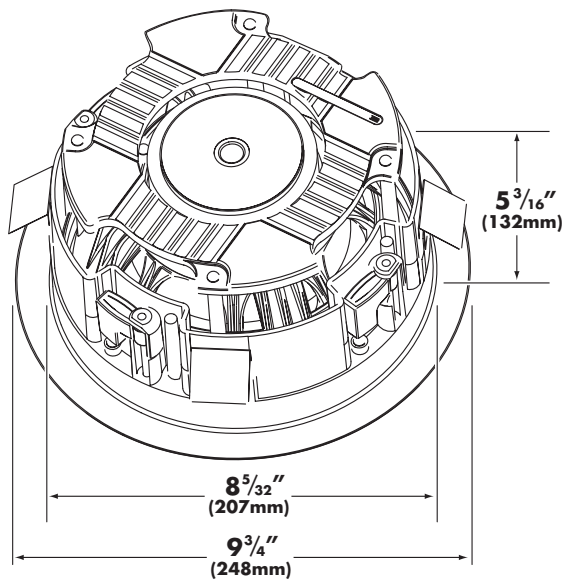
(continued on rear)

Sonance Symphony® Series

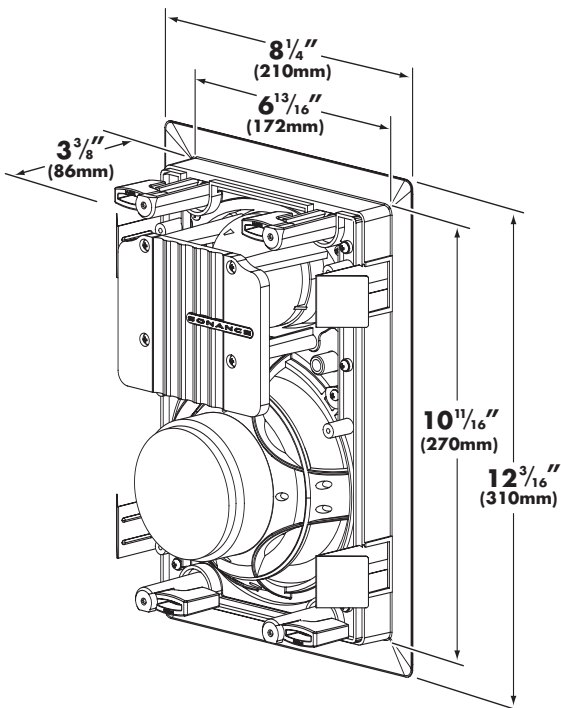
# Single-StereoTechnology® and SRS1

## Dimensions

Symphony SSTR/SRS1 Speakers:



Symphony S623SST:



## Specifications (continued from front):

### S623SST

Tweeter:	Two 1" (25mm) Silk domes, Ferrofluid-cooled
Woofer:	6½" (165mm) Carbon fiber cone, dual voice coil, rubber surround
Frequency Response:	43Hz – 20kHz ±3dB
Impedance:	8 Ohms nominal; 6 Ohms minimum
Power Handling:	5 watts minimum; 135 Watts maximum
Sensitivity:	90dB SPL (2.83V 1 meter)
Grille Material:	Perforated aluminum
Adjustments:	None
Dimensions (W x H x D):	8¼" x 12¾" x 3⅜" (210mm x 310mm x 86mm)
Cutout Dim. (W x H):	6⅓" x 10Ⅰ" (172mm x 270mm)
Shipping Weight:	5 lbs. (2.3kg) Each

### SRS1

Tweeter:	Two 1" (25mm) Silk domes, Ferrofluid-cooled
Woofer:	6½" (165mm) Carbon fiber cone, rubber surround, pivoting
Frequency Response:	55Hz – 20kHz ±3dB
Impedance:	8 Ohms nominal; 7 Ohms minimum
Power Handling:	5 watts minimum; 150 Watts maximum
Sensitivity:	90dB SPL (2.83V 1 meter)
Grille Material:	Perforated aluminum
Adjustments:	None
Dimensions (Dia. x Depth):	9¾" x 5⅓" (248mm x 132mm)
Cutout Diameter:	8Ⅴ" (207mm)
Shipping Weight:	11 lbs. (5.0 KG) Pair

## SONANCE

212 Avenida Fabricante  
 San Clemente, CA 92672-7531 USA  
 (800) 582-7777 or (949) 492-7777  
 FAX: (949) 361-5151  
 Technical Support: (800) 582-0772  
 WWW.SONANCE.COM