

Sonance Merlot®
422MSQ

Sonance Merlot® Series

422MSQ In-Ceiling Speakers

The new Sonance Merlot® 422MSQ in-ceiling speaker features a square geometric form that mimics design elements such as recessed lighting, allowing it to effortlessly integrate into its surroundings. Its small footprint and shallow depth significantly increase installation options for newer multi-dwelling unit buildings as well as 'space-challenged' areas (bathrooms, hallways, etc.) in larger homes.

Ideal for both multi-channel home theater and stereo music applications, the Merlot 422MSQ incorporates high-quality driver materials and precision engineering that deliver startling musicality from speakers so small.

Sonance Merlot 422MSQ in-ceiling speakers bring high-quality entertainment to life anywhere in the home while effortlessly integrating into almost any lifestyle.

Features:

- **Ideal for use in multi-channel home theater systems and stereo music systems.**
- **Advanced polypropylene woofer cone produces robust, low-distortion bass in a very small footprint that increases installation options.**
- **Pivoting tweeter directs the sound at listeners for clear sound and improved stereo imaging even when speaker placement options are limited.**
- **The RotoLock® mounting system makes installation quick and easy.**
- **Exclusive new FastMount® tabs hold speaker in the mounting hole during installation, allowing installer to let go of the speaker to pick-up tools or other items.**

Specifications:

Sonance Merlot 422MSQ

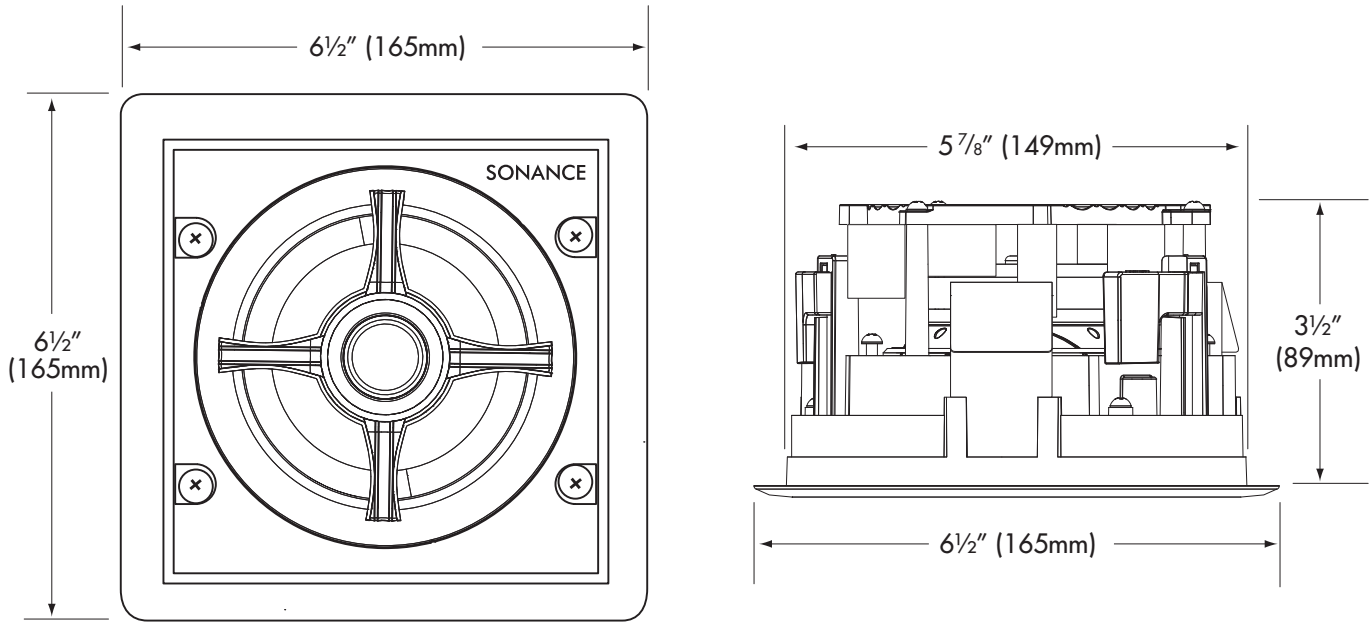
Tweeter:	¾" (19mm) silk dome, pivoting
Woofer:	4½" (114mm) Black polypropylene cone with a rubber surround
Frequency Response:	60Hz – 20kHz ±3dB
Impedance:	8 ohms nominal; 6 ohms minimum
Power Handling:	5 watts minimum; 60 watts maximum
Sensitivity:	90dB (2.83V/1 meter)
Grille Material:	Perforated aluminum
Dimensions (W x H x D):	6½" x 6½" x 3½" (165mm x 165mm x 89mm)
Cutout Dimensions:	5⅞" x 5⅞" (149mm x 149mm)
Shipping Weight:	6 lbs (2.8kg) per pair

Sonance Merlot® Series

MSQ-Series In-Ceiling Speakers



Dimensions:



SONANCE®

212 Avenida Fabricante
San Clemente, CA 92672-7531 USA
(800) 582-7777 or (949) 492-7777
FAX: (949) 361-5151
Technical Support: (800) 582-0772
WWW.SONANCE.COM

Limited Lifetime Warranty:

Sonance warrants to the original retail purchaser only that this Sonance product will be free from defects in materials and workmanship, provided the product was purchased from a Sonance Authorized Dealer. For full warranty information please see Instruction Manual.

©2007 Sonance, All Rights Reserved.

Sonance, Sonance Merlot, FastMount and RotoLock are trademarks or registered trademarks of Dana Innovations.

Due to continuous product improvement, all features and specifications are subject to change without notice.

For the latest Sonance product information go to:

www.sonance.com