

Sonance Symphony® Series In-Wall Speakers



Symphony S625_T

Sonance Symphony® In-Wall Speakers

Sonance Symphony® in-wall speakers establish the benchmark for quality, performance and versatility. Ideal for both multi-channel home theater and stereo music applications, Symphony in-wall speakers deliver impressive musical performance, yet they effortlessly integrate into almost any lifestyle.

With paintable aluminum grilles and a small footprint that let them practically disappear into the décor, Sonance Symphony in-wall speakers bring high-quality entertainment to life anywhere in the home without taking-up valuable floor space.

Features:

- 6½" Woofers give all Symphony Series speakers a small footprint that increases installation options.
- Advanced woofer cone materials for robust, low-distortion bass.
- Tweeter acoustic back chamber widens and smooths high-frequency performance.
- Pivoting tweeter directs sound at listeners, producing crisp, clear sound even when placement options are limited.
- Large woofer magnets increase output and power handling.
- Low resonance ¾" MDF baffles (S625_T/S624_T).
- 3-Position tweeter adjustment switch (S625_T/S624_T/S623_T).
- Extended woofer pole piece (S625_T/S624_T).
- RotoLock® mounting system makes installation 1/3 faster than previous models.
- Paintable aluminum grilles.
- Large connection terminals accept up to 14AWG speaker wire.
- Optional Retrofit Enclosure (part #92099) reduces sound spillover from rear of speaker into adjacent spaces.



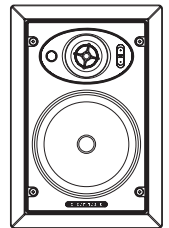
The Leader in Architectural Audio™

www.sonance.com

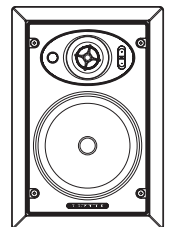
212 Avenida Fabricante
San Clemente, CA 92672-7531 USA
(800) 582-7777 or (949) 492-7777
FAX: (949) 361-5151
Technical Support: (800) 582-0772

SPECIFICATIONS

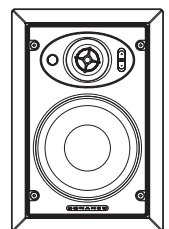
S625 _T	
Tweeter	1" (25mm) Beryllium dome, Ferrofluid cooled, pivoting, in acoustic back chamber
Woofer	6½" (135mm) Beryllium cone, rubber surround, extended pole piece
Frequency Response	40Hz – 20kHz ±3dB
Impedance	6 Ohms nominal; 4 Ohms minimum
Power Handling	5 watts minimum; 150 Watts maximum
Sensitivity	90dB SPL (2.83V 1 meter)
Grille Material	Perforated aluminum
Adjustments	±3dB tweeter level
Dimensions (W x H x D)	8½" (206mm) x 12¾" (310mm) x 3¾" (98mm)
Cutout Dim. (W x H)	7½" (179mm) x 11¼" (286mm)
Shipping Weight	12 lbs. (5.45 KG) Pair
S624 _T	
Tweeter	1" (25mm) Aluminum dome, Ferrofluid cooled, pivoting, in acoustic back chamber
Woofer	6½" (135mm) Coated carbon fiber cone, rubber surround, extended pole piece
Frequency Response	43Hz – 20kHz ± 3dB
Impedance	6 Ohms nominal; 4 Ohms minimum
Power Handling	5 watts minimum; 140 Watts maximum
Sensitivity	90dB SPL (2.83V 1 meter)
Grille Material	Perforated aluminum
Adjustments	±3dB tweeter level
Dimensions (W x H x D)	8½" (206mm) x 12¾" (310mm) x 3¾" (98mm)
Cutout Dim. (W x H)	7½" (179mm) x 11¼" (286mm)
Shipping Weight	11 lbs. (5.0 KG) Pair
S623 _T	
Tweeter	1" (25mm) Silk dome, Ferrofluid cooled, pivoting, in acoustic back chamber
Woofer	6½" (135mm) Carbon fiber cone, rubber surround
Frequency Response	43Hz – 20kHz ±3dB
Impedance	8 Ohms nominal; 6 Ohms minimum
Power Handling	5 watts minimum; 135 Watts maximum
Sensitivity	90dB SPL (2.83V 1 meter)
Grille Material	Perforated aluminum
Adjustments	±3dB tweeter level
Dimensions (W x H x D)	8½" (206mm) x 12¾" (310mm) x 3¾" (98mm)
Cutout Dim. (W x H)	7½" (179mm) x 11¼" (286mm)
Shipping Weight	10 lbs. (4.5 KG) Pair



Symphony S625_T



Symphony S624_T



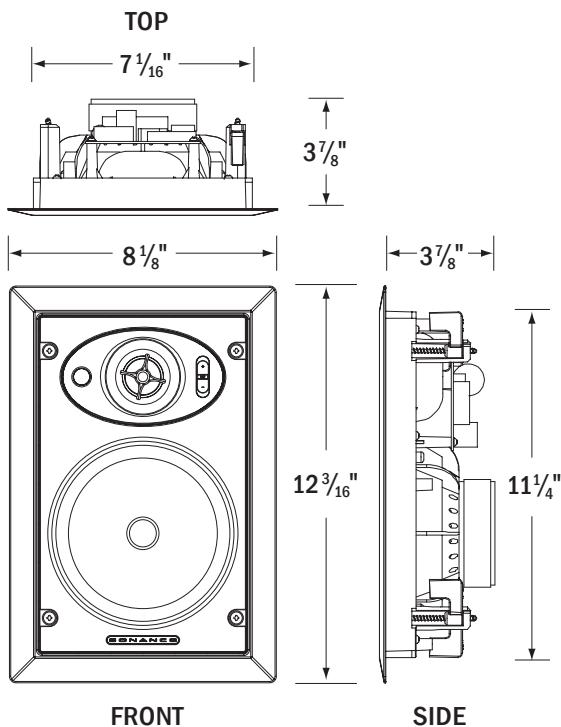
Symphony S623_T

(continued on reverse)

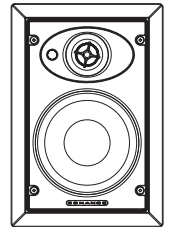
Sonance Symphony® Series In-Wall Speakers

DIMENSIONS

(all Symphony In-Wall speaker models)

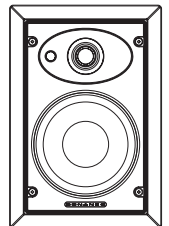


S622_T	
Tweeter	1" (25mm) Silk dome, Ferrofluid-cooled, pivoting, in acoustic back chamber
Woofer	6½" (135mm) Polypropylene cone, rubber surround
Frequency Response	45Hz – 20kHz ±3dB
Impedance	8 Ohms nominal; 6 Ohms minimum
Power Handling	5 watts minimum; 125 Watts maximum
Sensitivity	89dB SPL (2.83V 1 meter)
Grille Material	Perforated aluminum
Adjustments	None
Dimensions (W x H x D)	8½" (206mm) x 12¾" (310mm) x 3¾" (98mm)
Cutout Dim. (W x H)	7½" (179mm) x 11¼" (286mm)
Shipping Weight	10 lbs. (4.5 KG) Pair



Symphony S622_T

S621_T	
Tweeter	¾" (19mm) Silk dome, Ferrofluid-cooled
Woofer	6½" (135mm) Polypropylene cone, rubber surround
Frequency Response	50Hz – 20kHz ±3dB
Impedance	8 Ohms nominal; 6 Ohms minimum
Power Handling	5 watts minimum; 100 Watts maximum
Sensitivity	88dB SPL (2.83V 1 meter)
Grille Material	Perforated aluminum
Adjustments	None
Dimensions (W x H x D)	8½" (206mm) x 12¾" (310mm) x 3⅝" (92mm)
Cutout Dim. (W x H)	7½" (179mm) x 11¼" (286mm)
Shipping Weight	9 lbs. (4.1 KG) Pair



Symphony S621_T



The Leader in Architectural Audio™

www.sonance.com

212 Avenida Fabricante
San Clemente, CA 92672-7531 USA
(800) 582-7777 or (949) 492-7777
FAX: (949) 361-5151
Technical Support: (800) 582-0772