



SONANCE SYMPHONY®
S623LCR SPEAKER



Sonance Symphony® Series

S623LCR Home Theater Speaker

The new Sonance Symphony® S623LCR home theater speaker is a visual and sonic match for our best-selling Sonance Symphony speaker line.

Incorporating the same drivers as the Symphony S623T and S623TR but in a traditional dual woofer/single tweeter home theater speaker format, the S623LCR makes an ideal center-channel counterpart for any Symphony series left and right channel speaker pair in small or medium-sized home theater systems. And by using the S623LCR in all three front-channel positions (left, center and right) and other Symphony series speakers as surround channels, an exceptionally high-performance home theater system can be assembled.

Installation is quick and easy thanks to the RotoLock® mounting system. Exclusive FastMount® tabs hold the speaker in the mounting hole during installation, allowing the installer to let go of it to pick-up tools or other items. And the S623LCR is designed to fit between standard 16" on-center studs (the standard stud spacing in the USA).

The new Sonance S623LCR is the perfect center-channel match for any Sonance Symphony series speaker pair, giving dealers and installers all the tools they need to create exceptional home theater systems in a variety of configurations.

Features:

- Traditional dual woofer/single tweeter home theater speaker configuration.
- Visually and sonically matches other Sonance Symphony® series speaker models.
- Dual carbon fiber cone woofers produce deep, powerful bass and provide high-output low-distortion music and film dialog.
- Fits standard 16" on-center stud construction.
- Exclusive new FastMount® tabs hold the speaker in the mounting hole during installation, allowing the installer to let go of the speaker to pick-up tools or other items.
- The Rotolock® mounting system makes installation quick and easy.
- A three position tweeter adjustment switch lets you balance the speaker's high-frequency energy to better complement the room's setup and acoustics.
- Removable IR plug accommodates a Sonance OptiLinQ® SMR1 or SMR1P IR receiver, allowing convenient front-of-the-room aiming for system IR remote controls.
- Paintable perforated aluminum grille with built-in scrim cloth.

Specifications:

Sonance Symphony S623LCR

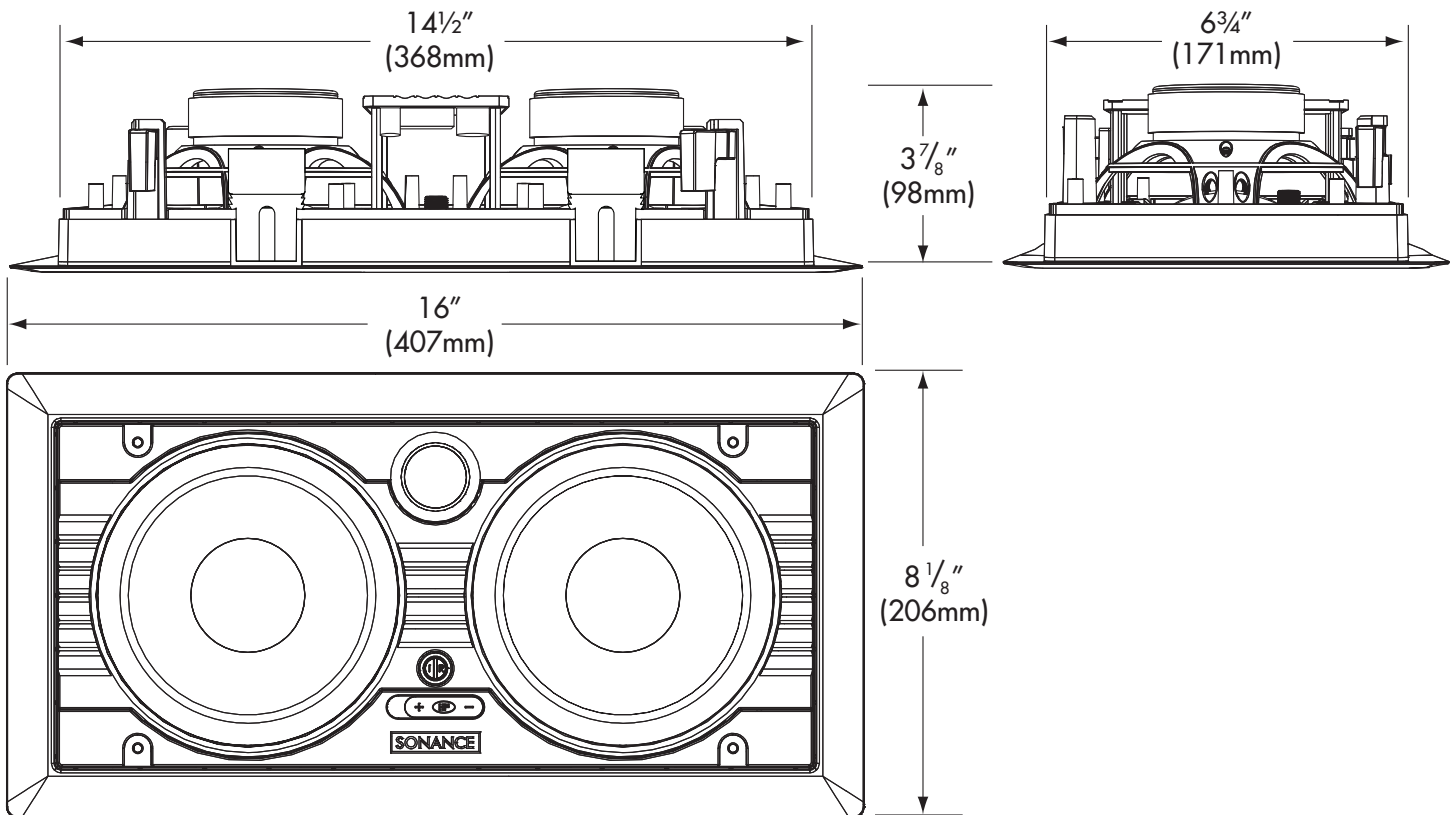
Tweeter:	1" (25mm) Silk dome, Ferrofluid-cooled
Woofer:	Two 6½" (165mm) Carbon fiber cones, rubber surrounds
Frequency Response:	43Hz – 20kHz ±3dB
Impedance:	8 ohms nominal; 6 ohms minimum
Power Handling:	5 watts minimum; 135 watts maximum
Sensitivity:	92dB SPL (2.83V/1 meter)
Grille Material:	Perforated Aluminum
Adjustments:	±3dB Tweeter Level
Dimensions (W x H x D):	16" x 8⅛" x 3⅞" (407mm x 206mm x 98mm)
Cutout Dimensions (W x H):	14½" x 6¾" (368mm x 171mm)
Shipping Weight:	7 lbs (3.2kg) each



Sonance Symphony® Series

S623LCR Home Theater Speaker

Dimensions:



SONANCE®

212 Avenida Fabricante
San Clemente, CA 92672-7531 USA
(800) 582-7777 or (949) 492-7777
FAX: (949) 361-5151
Technical Support: (800) 582-0772
WWW.SONANCE.COM

Limited Lifetime Warranty:

Sonance warrants to the original retail purchaser only that this Sonance product will be free from defects in materials and workmanship, provided the product was purchased from a Sonance Authorized Dealer. For full warranty information, please see the Instruction Manual.

©2007 Sonance, All Rights Reserved.

Sonance, Sonance Symphony, FastMount and RotoLock are trademarks or registered trademarks of Dana Innovations.

Due to continuous product improvement, all features and specifications are subject to change without notice.

For the latest Sonance product information, go to:

www.sonance.com