



VISUAL PERFORMANCE® SERIES VP85S SST (LEFT);
VP65R SST TL (RIGHT)



Sonance Visual Performance® Series

Visual Performance® Single Stereo SST and Surround SUR Speakers

Sonance Visual Performance® Series SST and SUR speakers combine elegant, modern style with outstanding audio performance. New micro-trim grilles have only 0.20" (5mm) of trim, giving these speakers a clean, sleek appearance that seamlessly integrates into any designed space. The grilles attach via powerful magnets, for simple, quick installation. A one-step paint process saves time compared to traditional flanged speakers.

Visual Performance® SST speakers are available in three shapes (rectangular, square and round) and three sizes (large – except for rectangular shape, medium, small), and come in two different audio performance levels. Visual Performance® SUR speakers are available in round and square shapes. The designer and installer can select the shape that best suits the architectural space while providing the level of sound quality desired by the client.

The Sonance exclusive Single Stereo Technology® SST combines the left and right stereo channels to play both signals into a single in-wall or in-ceiling speaker. Ideal for kitchens, hallways, bathrooms, or wherever the listener will be moving about and a pair of stereo speakers would be impractical.

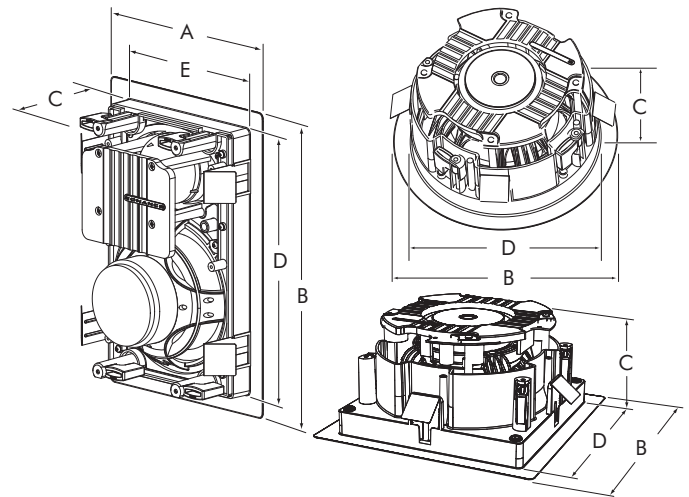
Visual Performance® Series Surround SUR speakers feature carbon fiber woofer cones and silk dome tweeters for high-quality sound. Visual Performance® Series Surround SUR speakers provide a precisely mounted tweeter array creating a diffuse sound field ideal for in-ceiling surround channel applications. These speakers are a perfect complement to a Visual Performance® Series home theater installation.

Visual Performance® Series Single Stereo Technology ThinLine™ (TL) models feature 2 1/2 (64mm) and 3 1/32 (77mm) depths that allow installation in areas that will not accommodate conventional speakers.

Visual Performance® Series Single Stereo Technology Extreme speakers are engineered for high-humidity areas and are built to survive extreme temperatures - from -30°F up to +175°F (-34°C up to +79°C) - while maintaining superior sound quality. These speakers are also shock-resistant and can withstand the pelting of the high seas and salty air, making them an excellent choice for marine applications.

Visual Performance® Series SST and SUR speakers can be retrofitted into mounting holes for Sonance Original Series SST and SUR speakers without modification, making upgrades exceptionally easy. Visual Performance® Series SST and SUR speakers can also be used with accessories for Sonance Original Series SST and SUR speakers, such as Flex brackets, acoustic enclosures, retrofit backboxes and fire-rated backcans.

Dimensions:



	WIDTH A	HEIGHT B	DEPTH C	CUTOUT (w x h) D E	
SQUARE					
VP85S SST	11 3/4" 299mm	11 3/4" 299mm	5 7/8" 149mm	10 1/4" 260mm	10 1/4" 260mm
VP65S SST/VP65S SUR	9 7/8" 251mm	9 7/8" 251mm	4 3/4" 121mm	8 1/4" 210mm	8 1/4" 210mm
VP45S SST	6 1/2" 165mm	6 1/2" 165mm	3 5/8" 92mm	5 5/8" 143mm	5 5/8" 143mm
RECTANGLE					
VP65S SST	8 3/8" 213mm	12 1/4" 311mm	3 9/16" 91mm	6 15/16" 176mm	10 3/4" 273mm
ROUND					
VP85R SST/VP85R SUR	11 5/8" 295mm		5 7/8" 149mm	10 1/8" 257mm	
VP65R SST/VP65R SUR/VP61R SST	9 3/4" 248mm		4 3/4" 121mm	8 1/4" 210mm	
VP65R SST TL/VP61R SST TL	9 3/4" 248mm		3 1/32" 77mm	8 1/4" Dia. 210mm	
VP65R SST XT	9 3/4" 248mm		5 3/16" 132mm	8 1/4" 210mm	
VP45R SST	6 7/8" 175mm		3 1/2" 89mm	5 7/8" Dia. 149mm	

Sonance Visual Performance® Series

Visual Performance® Single Stereo SST and Surround SUR Speakers

Features:

- Single Stereo Technology® SST combines the left and right stereo channels to play both signals into a single in-wall speaker. Ideal for use in areas where space is limited.
- New micro-trim grille has only 0.20" (5mm) of ABS trim, for a sleek, modern appearance. Powerful neodymium magnet grille attachment eases installation. (Extreme model uses Samarium Cobalt magnets.)
- Round, rectangular, and square footprints, as well as small, medium and large sizes, provide installation flexibility to compliment a wide variety of décor.
- Visual Performance® Series Surround SUR speakers create a diffuse, enveloping sound field that is ideal for home theater surround channel use.
- Fully-pivoting woofers (on all VP8X SST/SUR speakers and VP6X SST/SUR speakers except for TL and XT models) direct the sound at listeners for a clear sound even when speaker placement options are limited.
- Rotolock® mounting system makes installation quick and easy. Exclusive new FastMount® tabs hold speaker in the mounting hole during installation, allowing installer to let go of the speaker to pick-up tools or other items.
- All Visual Performance® Series SST and SUR speakers can be retrofitted into existing cutouts for Sonance Original Series SST and SUR speakers without modification.
- Grilles and frames can be painted together, saving installation time.
- Visual Performance® Series SST ThinLine™ (TL) feature 2 1/2 (64mm) and 3 1/32 (77mm) depths that allow installation in areas that will not accommodate conventional speakers.
- Visual Performance® SST Speakers are available in Visual Performance® Extreme (VP65R SST XT) for high-humidity areas and extreme temperatures - from -30°F up to +175°F (-34°C up to +79°C) - shock-resistant and an excellent choice for marine applications.

Specifications:

VP85R SST/VP85S SST

Tweeter:	Two 1" (25mm) silk domes, ferrofluid-cooled
Midrange:	Two 3" (76mm) carbon fiber cones, rubber surrounds
Woofer:	8" (203mm) carbon fiber cone, rubber surround, pivoting
Frequency Response:	36Hz – 20kHz ±3dB
Impedance:	6 ohms nominal; 4 ohms minimum
Power Handling:	5 watts minimum; 150 watts maximum
Sensitivity:	91dB SPL (2.83V/1 meter)
Grille:	Perforated Steel
Dimensions	
VP85R SST (Dia. x D):	11 5/8" x 5 7/8" (295mm x 149mm)
VP85S SST (W x H x D):	11 3/4" x 11 3/4" x 5 7/8" (299mm x 299mm x 149mm)
Cut-Out Diameter	
VP85R SST:	10 1/8" (257mm)
VP85S SST (W x H):	10 1/4" x 10 1/4" (260mm x 260mm)
Shipping Weight	
VP85R SST / VP85S SST	10 lbs (4.5kg) each

VP85R SUR

Tweeter:	Two 1" (25mm) silk domes, ferrofluid-cooled
Midrange:	Two 3" (76mm) carbon fiber cones, rubber surrounds
Woofer:	8" (203mm) carbon fiber cone, rubber surround, pivoting
Frequency Response:	36Hz – 20kHz ±3dB
Impedance:	6 ohms nominal; 4 ohms minimum
Power Handling:	5 watts minimum; 150 watts maximum
Sensitivity:	91dB SPL (2.83V/1 meter)
Grille:	Perforated Steel
Dimensions (Dia. x D):	11 5/8" x 5 7/8" (295mm x 149mm)
Cut-Out Diameter:	10 1/8" (257mm)
Shipping Weight:	20 lbs (9kg) pair



Sonance Visual Performance® Series

Visual Performance® Single Stereo SST and Surround SUR Speakers

Specifications:

VP65 SST/VP65R SST /VP65S SST

Tweeter:	Two 1" (25mm) silk domes, ferrofluid-cooled, in acoustic back chamber
Woofer:	6 1/2" (165mm) carbon fiber cone with a rubber surround, pivoting, dual voice coil
Frequency Response:	44Hz – 20kHz ±3dB
Impedance:	8 ohms nominal; 6 ohms minimum
Power Handling:	5 watts minimum; 130 watts maximum
Sensitivity:	90dB SPL (2. 83V/1 meter)
Grille:	Perforated Steel
Dimensions	
VP65 SST (W x H x D):	8 3/8" x 12 1/4" x 3 9/16" (213mm x 311mm x 91mm)
VP65R SST (Dia. x D):	9 3/4" x 4 3/4" (248mm x 121mm)
VP65S SST (W x H x D):	9 7/8" x 9 7/8" x 4 3/4" (251mm x 251mm x 121mm)
Cut-Out Diameter	
VP65 SST (WxH):	6 15/16" x 10 3/4" (176mm x 273mm)
VP65R SST (Diameter):	8 1/4" (210mm)
VP65S SST (W x H):	8 1/4" x 8 1/4" (210mm x 210mm)
Shipping Weight	
VP65 SST:	6 lbs (2.7kg) each
VP65R SST, VP65S SST:	5 lbs (2.3kg) each

VP65R SST TL

Tweeter:	Two 1" (25mm) silk domes, ferrofluid-cooled
Woofer:	6 1/2" (165mm) carbon fiber cone, dual voice coil with a rubber surround
Frequency Response:	43Hz – 20kHz ±3dB
Impedance:	8 ohms nominal; 6 ohms minimum
Power Handling:	5 watts minimum; 135 watts maximum
Sensitivity:	90dB SPL (2.83V/1 meter)
Grille:	Perforated Steel
Dimensions (Dia. x D):	9 3/4" x 3 1/32" (248mm x 77mm)
Cut-Out Diameter:	8 1/4" (210mm)
Shipping Weight:	5 lbs (2.3kg) each

VP61R SST

Tweeter:	Two 3/4" (19mm) silk domes, ferrofluid-cooled
Woofer:	6 1/2" (165mm) polypropylene cone, dual voice coil with a rubber surround, pivoting
Frequency Response:	55Hz – 20kHz ±3dB
Impedance:	8 ohms nominal; 6 ohms minimum
Power Handling:	5 watts minimum; 100 watts maximum
Sensitivity:	88dB SPL (2.83V/1 meter)
Grille:	Perforated Steel
Dimensions (Dia. x D):	9 3/4" x 4 3/4" (248mm x 121mm)
Cut-Out Diameter:	8 1/4" (210mm)
Shipping Weight:	4.5 lbs (2.0kg) each

VP61R SST TL

Tweeter:	Two 3/4" (19mm) silk domes, ferrofluid-cooled
Woofer:	6 1/2" (165mm) polypropylene cone, dual voice coil with a rubber surround
Frequency Response:	50Hz – 20kHz ±3dB
Impedance:	8 ohms nominal; 6 ohms minimum
Power Handling:	5 watts minimum; 100 watts maximum
Sensitivity:	88dB SPL (2.83V/1 meter)
Grille:	Perforated Steel
Dimensions (Dia. x D):	9 3/4" x 3 1/32" (248mm x 77mm)
Cut-Out Diameter:	8 1/4" (210mm)
Shipping Weight:	4.5 lbs (2.0kg) each

VP45R SST/VP45S SST

Tweeter:	Two 1" (25mm) silk domes, ferrofluid-cooled
Woofer:	4 1/2" (114mm) carbon fiber cone with a rubber surround, dual voice coil
Frequency Response:	58Hz – 20kHz ±3dB
Impedance:	8 ohms nominal; 6 ohms minimum
Power Handling:	5 watts minimum; 70 watts maximum
Sensitivity:	90dB SPL (2. 83V/1 meter)
Grille:	Perforated Steel
Dimensions	
VP45R SST (Dia. x D):	6 7/8" x 3 1/2" (175mm x 89mm)
VP45S SST (W x H x D):	6 1/2" x 6 1/2" x 3 5/8" (165mm x 165mm x 92mm)
Cut-Out Diameter	
VP45R SST (Dia.):	5 7/8" (149mm)
VP45S SST (W x H):	5 5/8" x 5 5/8" (143mm x 143mm)
Shipping Weight	
VP45R SST/VP45S SST	3 lbs (1.4kg) each

VP65R SST XT

Tweeter:	Two 1" (25mm) polyurethane domes, ferrofluid-cooled
Woofer:	6 1/2" (165mm) injection-molded polypropylene/graphite cone, with integral Santoprene™ surround, dual voice coil
Frequency Response:	55Hz – 20kHz ±3dB
Impedance:	8 ohms nominal; 6 ohms minimum
Power Handling:	5 watts minimum; 130 watts maximum
Sensitivity:	89dB (SPL 2.83V/1 meter)
Grille:	Powder-coated stainless steel
Dimensions (Dia. x D):	9 3/4" x 5 3/16" (248mm x 132mm)
Cut-Out Diameter:	8 1/4" (210mm)
Shipping Weight:	4.5 lbs (2.1 kg) each



Sonance Visual Performance® Series

Visual Performance® Single Stereo SST and Surround SUR Speakers

Specifications:

VP65R SUR/VP65S SUR

Tweeter:	Two 1" (25mm) silk domes, ferrofluid-cooled, in acoustic back chamber
Woofer:	6 1/2" (165mm) carbon fiber cone with a rubber surround, pivoting
Frequency Response:	44Hz – 20kHz ±3dB
Impedance:	8 ohms nominal; 6 ohms minimum
Power Handling:	5 watts minimum; 130 watts maximum
Sensitivity:	90dB SPL (2. 83V/1 meter)
Grille:	Perforated Steel
Dimensions	
VP65R SUR (Dia. x D):	9 3/4" x 4 3/4" (248mm x 121mm)
VP65S SUR (W x H x D):	9 7/8" x 9 7/8" x 4 3/4" (251mm x 251mm x 121mm)
Cut-Out Diameter	
VP65R SUR (Dia.):	8 1/4" (210mm)
VP65S SUR (W x H):	8 1/4" x 8 1/4" (210mm x 210mm)
Shipping Weight	
VP65R SUR	5 lbs (3.3kg) pair
VP65S SUR	10 lbs (4.5kg) pair

SONANCE®

212 Avenida Fabricante

San Clemente, CA 92672-7531

USA(800) 582-7777 or (949) 492-7777

FAX: (949) 361-5151

Technical Support: (800) 582-0772

WWW.SONANCE.COM

Limited Lifetime Warranty:

Sonance warrants to the original retail purchaser only that this Sonance product will be free from defects in materials and workmanship, provided the product was purchased from a Sonance Authorized Dealer. For full warranty information, please see the Instruction Manual.

©2010 Sonance, Sonamp and Sonance Architectural Series are registered trademarks of Dana Innovations.
Due to continuous product improvement, all features and specifications are subject to change without notice.
For the latest Sonance product specification information visit our website: www.sonance.com

www.sonance.com