

33-1485 7/98

Please read these instructions carefully before connecting this device to your system. If connections are made incorrectly you may short circuit and damage your amplifier.

SS6/SS4

SPEAKER DISTRIBUTION SYSTEM

(Read complete instructions before beginning.)

Thank you for purchasing this fine **Sonance** component. **Sonance** also offers the largest selection of high fidelity in-wall/in-ceiling speakers in the world. Consult **Sonance** literature or your Authorized **Sonance** Dealer for more information on the wide variety of speakers, amplifiers, switchers, controls, cable, and other custom installation products available from **Sonance**.

IMPORTANT: ALWAYS MAKE ALL CONNECTIONS TO YOUR SWITCHER WITH THE RECEIVER OR AMPLIFIER POWER OFF.

IMPORTANT: IT IS NORMAL FOR THE SWITCHER TO GIVE OFF HEAT. PLACE IT ONLY IN AN AREA WITH GOOD VENTILATION. DO NOT PLACE IT NEAR PLASTIC OR COMBUSTIBLE MATERIAL.

IMPORTANT: WHEN OPERATING THE SWITCHER WITH MORE THAN ONE PAIR OF SPEAKERS ENGAGED, MAKE SURE THE PROTECTION SWITCHER IS ALSO ENGAGED. ALWAYS STAY WITHIN THE SAFE OPERATING RANGE OF YOUR RECEIVER OR AMPLIFIER.

SS6/SS4 BASIC CONCEPT

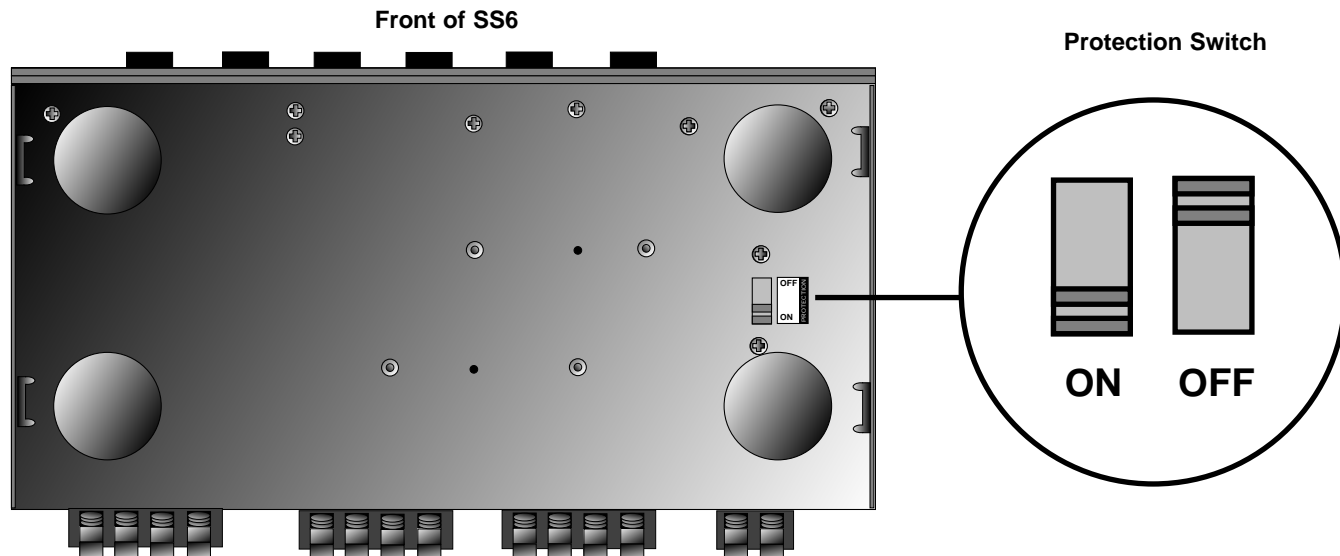
The **SS6** and **SS4** are designed to connect up to six and four pairs of loudspeakers respectively, to one receiver or amplifier. Each pair of speakers can be independently turned on/off. These systems provide impedance protection whenever its protection circuit is manually engaged by the user. When engaged, the **SS6** and **SS4** adjust the impedance load presented to the receiver or amplifier. With most amplifiers, when multiple speakers are engaged, the protection switch is engaged, and with high amplifier volume, your **SS6** and **SS4** Switcher may become warm. Do not operate your system beyond the power rating of the amplifier or the Switcher. Please refer to the switcher maximum power handling capabilities in the SPECIFICATIONS section, and check the owner's manual of your receiver or amplifier.

USING THE PROTECTION SWITCH

As a general rule, the more speaker pairs you have on, the more the protection circuitry will be needed. Leaving the Protection switch always engaged (to the back) will provide the safest operating condition for your receiver. For most receivers, the Protection switch should be engaged when more than one Speaker button is engaged on the **SS6** and **SS4** Switchers. Failure to engage the Protection switch when multiple pairs of speakers are engaged may cause damage to your amplifier. The protection switch is located on the bottom right hand side of the **SS6** and **SS4** switchers. Slide the red switch towards the back of the switcher to engage resistors or slide the red switch towards the front of the switcher to disengage the resistors (See diagram below):

NOTE: When protection circuitry is engaged, there may be a slight, but perceivable loss of volume in the speakers that are engaged. This is simply the trade-off for using a speaker switcher instead of individual amplification for each speaker pair or an impedance matching device such as the Sonance AF8. Use more dedicated amplifiers if you require more dynamic range.

BOTTOM VIEW



Front of SS6

Protection Switch

Back of SS6

CUSTOM BUTTON LABELS

Sonance now makes multi-room sound distribution even more user-friendly by including **Custom Button Labels (Sonance PN. 33-1468)**. Now you can customize your **SS6** or **SS4** with a label on each button that corresponds with the room or area in which you have a pair of speakers playing. One sheet of button labels contains 120 pressure-sensitive labels, each with a 3 to 7-letter abbreviation for nearly every route destination likely to be encountered in your installation. Each label fits the dimensions of the buttons on your **SS6** and **SS4**. A legend of the rooms or areas is included in the package for easy reference. Consult your Authorized **Sonance** Dealer for more information.

CONNECTING TO SPEAKERS AND A RECEIVER/AMPLIFIER

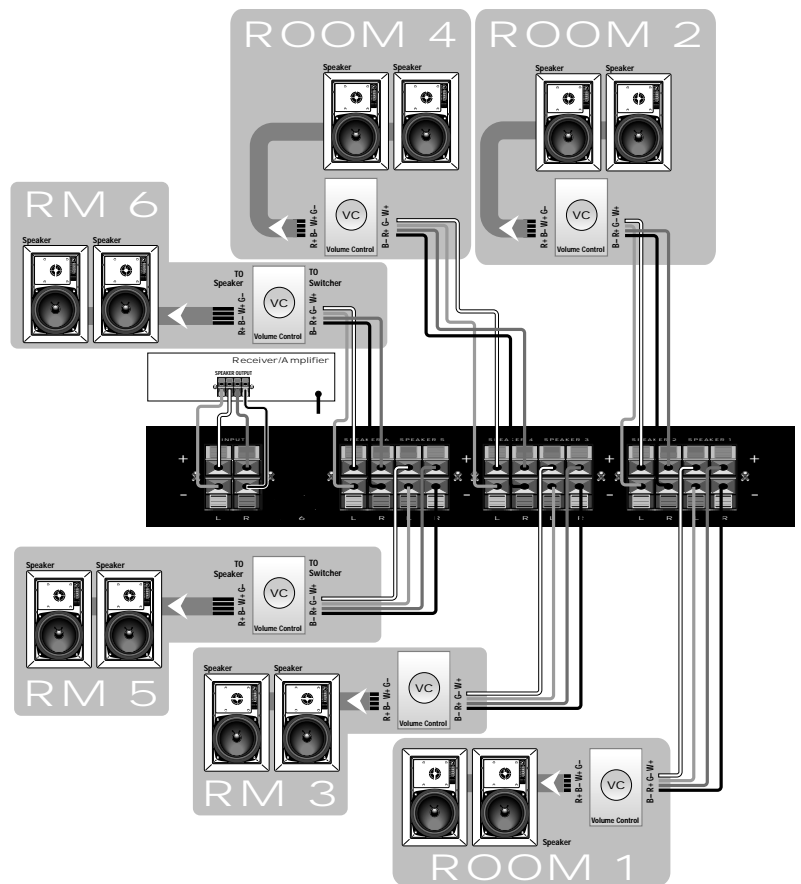
Locate the switcher close to your receiver/amplifier. It is recommended you connect ALL your speakers to volume controls and then to the switcher (see diagram on right). This gives you independent volume balancing and control in all speaker locations. Your receiver's main volume control acts as the Master Volume, and each individual pair of speakers can be either off, or at their own volume level. They will also be independent of the other speakers connected in the system but not the master volume control. Use 16-gauge (or larger) cable. It is easiest to run 4-conductor cable (for example, Sonance MediaLinQ 16/4 speaker cable) from each stereo pair of speakers to a volume control. Next, connect the control to one of the speaker inputs on the back of the switcher (see diagram on right). THEN, WITH THE RECEIVER POWER OFF, connect cable between the INPUT terminals on the back of the switcher and receiver's speaker outputs (see diagram on right).

PLACEMENT

Because the **SS6** and **SS4** contain resistors which consume power, and dissipate current in the form of heat, the unit should be placed in an area that is relatively cool and where there is good ventilation. If placing it in an enclosed cabinet or between shelving, make sure there is adequate space (at least two inches) between the top of the switcher and any shelving, cabinetry, or components placed above it. A fan may be needed to draw air through the cabinet or shelving unit if components get too warm.

Since your **SS6** or **SS4** will be used as a central switcher for multiple speaker pairs, it should be easily accessible. When placing it with other electronics, the **SS6** and **SS4** should be placed in a location that will accommodate the mass of speaker wires that will be connected between it and the speakers and source unit.

SS6/SS4 SPECIFICATIONS	
Power Handling	120 watts per channel max (without protection engaged) 50 watts with protection and all speaker engaged
Protection Circuitry	Resistive In-line
Switch Type	Slide-slide, self-cleaning
Frequency Response	20-20k Hz
Dimensions (WxHxD)	
SS6	11-1/4" x 2" x 7" (286mm x 51mm x 178mm)
SS4	8-1/2" x 2" x 7" (216mm x 51mm x 178mm)



SERVICE

The Technical Assistance Department at **Sonance** is available to answer any questions concerning the operation and installation of your **SS6** or **SS4**. Please contact us between the hours of 9 AM and 5 PM Pacific Time, Monday through Friday, except holidays:

Telephone toll free, Continental USA:
(800) 582-7777

Telephone outside Continental USA:
(949) 492-7777

Sonance

Technical Assistance Department
Address inquiries to:
961 Calle Negocio
San Clemente, CA 92673-6202

YOU MUST HAVE PRIOR AUTHORIZATION TO RETURN YOUR UNIT!

In the event that your unit should need service or repair, return the unit to your authorized **Sonance** dealer. If you wish to return it to the factory yourself, you must contact us to obtain a return authorization (RA) number prior to returning your unit to us. Be prepared to state the model number, date of purchase and the dealer's name and address when you call.

The unit must be returned to the factory in its original shipping carton and packing to make sure it arrives in good condition. If the original carton has been lost or damaged, a new one can be obtained from **Sonance** for a small fee.

When you ship your unit use United Parcel Service, Federal Express, etc. Never ship your unit via US Mail.

FREIGHT COLLECT SHIPMENTS WILL BE REFUSED!

WARRANTY COVERAGE (U.S. ONLY)

Sonance offers you a five (5) year limited warranty on your unit. You must observe the following conditions in order to receive this protection:

1. Retain your bill of sale or legible facsimile (photo copy). In the event that your unit should ever require service, the bill of sale shall act as your proof of ownership and give the effective date of your warranty.
2. Read your warranty thoroughly. **Sonance** offers you certain rights outlined in your warranty and requires specific conditions to be met to retain those rights. You may also have other rights which vary from state to state.

FIVE YEAR LIMITED WARRANTY

Sonance warrants to the original retail purchaser for the period of five (5) years, the unit to be free from defects in material and workmanship provided the unit is operated in accordance with the printed instructions included with the unit. Five (5) years begins on the date of purchase shown on the bill of sale (receipt). Your purchase must have been from an "Authorized **Sonance** Dealer." For this warranty to be effective, the bill of sale must also show from whom the unit was purchased and the purchase price. In the event proof of purchase cannot be established as stated in the previous sentence(s), warranty shall commence on the date the unit was shipped from the factory. This warranty shall apply exclusively to the original purchaser and shall not apply to purchasers who purchased units for industrial or commercial purposes.

During the warranty period, **Sonance** agrees to repair or, at its discretion, replace at no charge components that prove to be defective, provided the unit is returned in accordance with the shipping instructions detailed above. This warranty does not apply if the unit has been damaged by accident or misuse, or as a result of service or modification by unauthorized personnel.

This warranty is limited to **Sonance** product(s) registered herein and specifically excludes any damage to loudspeakers and other allied or associated equipment which may result for any reason from use with this product.

The warranty set forth above is in lieu of all other warranties, express or implied, of merchantability, fitness for a particular purpose or otherwise. In no event shall **Sonance** be liable for incidental or consequential damages or have any liability with respect to defects other than as specifically set forth above.