



# INSTRUCTION MANUAL

## SONANCE VIRTUOSO® D-SERIES

### 8" IN-WALL SPEAKERS

## INTRODUCTION

Thank you for purchasing Sonance Virtuoso® D-series in-wall speakers. When properly installed, these speakers will give you many years of entertainment pleasure. To get the most out of your new speakers, please read this manual thoroughly before you begin installation.

Since all of the Sonance Virtuoso D speakers have the same exact footprint and have identical installation requirements, the directions in this manual apply to each model. This manual covers the following speaker models: Virtuoso V834D, V833D, V832D, V831D.

To achieve the best performance, Sonance recommends that these speakers be installed by a Sonance Authorized Dealer/Installer.

## SAFETY WARNING:

These speakers have FastMount® tabs that prevent the speaker from falling out of the mounting hole during the installation process.

**The edges of FastMount tabs are very sharp. Use caution when handling the speaker.**

See *Installation* (page 4) for complete information about the FastMount tabs.

## PARTS LIST

Your Sonance Virtuoso D speakers include the following:

- (2) Sonance Virtuoso D speakers
- (2) Paintable grilles
- (2) Plastic paint plugs to protect speakers during painting
- (1) Mounting cutout template (in packaging)

## OPTIONAL ACCESSORIES

**Virtuosod Metal Grille (part# 92289):** Metal replacement for included grilles.

**Virtuosod Cloth Grille (part# 92284):** Cloth-covered replacement for included grilles.

**Virtuosod FlexBracket (part# 92246):** Plastic template to reserve a mounting hole for the speaker in new construction. Designed to be used with the RotoLock® mounting system.

**Virtuosod Coverplate (part# 92244):** Covers the hole made by the FlexBracket during construction until the speaker is installed.

**Virtuosod Acoustic Enclosure (part# 91708):** ½" MDF enclosure that provides ideal acoustic performance and maximum reduction of sound transmission into adjacent spaces. Designed for use only in new construction.

**Virtuosod Retrofit Enclosure (part# 92242):** Molded enclosure that reduces sound transmission into adjacent rooms and spaces. Can be used in both new construction and retrofit installations.

**Sonafill® In-Wall System (part# 91698):** Retrofittable acoustical treatment for in-wall speakers consisting of two pillows and four tiles that virtually eliminates noise produced by resonating drywall. Dramatically improves midbass sound quality and reduces sound transmission into adjacent rooms.

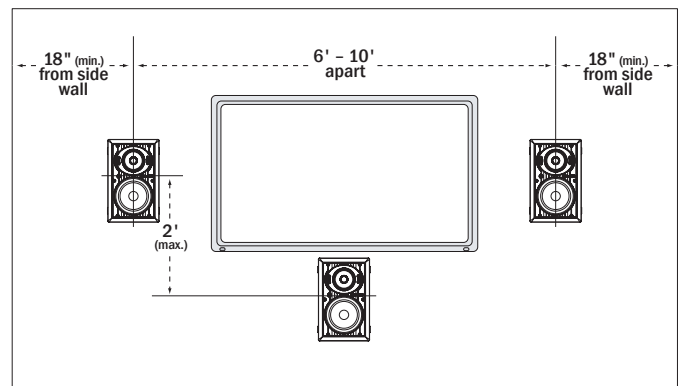
## SPEAKER PLACEMENT

All Sonance Virtuoso D-series speakers fit into walls built with standard 2" x 4" stud construction. The locations of the speakers should be determined by considering the primary listening location, the primary use for the speakers (stereo music or home theater) and aesthetic values. For optimum results contact your Authorized Sonance Dealer for advice.

### Home Theater Placement: Left and Right Front Speakers

- Place the left and right speakers on either side of the video screen, anywhere from 6 feet to 10 feet apart, and 38 – 42 inches from the floor (which corresponds to the height of your ears when you're seated).
- The main listening position should be 8 – 12 feet away from the speakers.
- If possible, locate the speakers at least 18 inches away from the side walls.
- If necessary, pivot each speaker's Sonic Eye (midrange/tweeter assembly) towards the listening position to maximize the soundstage.

Use *Illustration 1* as a guide.



**Illustration 1: Left, Center & Right Speaker Home Theater Placement**

### Home Theater Placement: Center Speaker

- If possible, locate the center speaker at the same height as the left & right channel speakers (38 – 42 inches from the floor).
- If you must place the center speaker above or below a video screen, we recommend placing it no more than 2 feet above or below the center of the left and right speakers. Keeping the speakers within a 4-foot window will maintain consistent tonality between all 3 front channel speakers.

Use *Illustration 1* as a guide.

### Home Theater Placement: Surround Speakers (5.1 Channels)

Sonance Virtuoso D-series speakers can also be used for surround channel applications in a home theater. Depending on your room's layout, you can locate the surround channel speakers in the side walls, in the rear wall or in the ceiling. If you are not sure which location will achieve the best performance in your room, contact your Authorized Sonance Dealer for advice.

**Side wall mounting:** Locate the surround channel speakers approximately 2 – 6 feet behind the listening position, at least 5 feet from the floor.

continued on page 2



# INSTRUCTION MANUAL

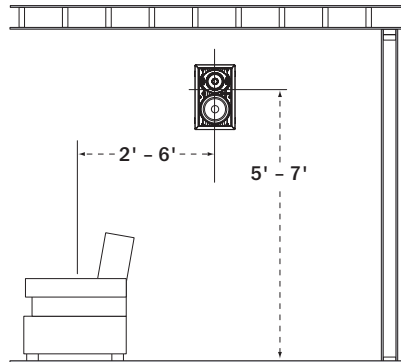
## SONANCE VIRTUOSO® D-SERIES

### 8" IN-WALL SPEAKERS

- You can create a more diffuse, spacious surround effect by pivoting the Sonic Eye away from the listeners.

Use *Illustration 2* as a guide.

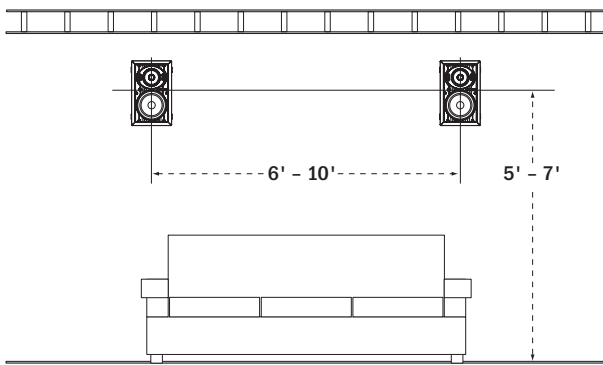
**Rear wall mounting:** The listening position should be 2 – 10 feet in front of the rear wall. Locate the surround channel speakers on the rear wall, 6 – 10 feet apart, at least 5 feet from the floor. Center the speakers on the listening location.



**Illustration 2:**  
Side Wall Surround Speaker Placement

- You can create a more diffuse, spacious surround effect by pivoting each speaker's Sonic Eye towards a wall or window, away from the listeners.

Use *Illustration 3* as a guide.

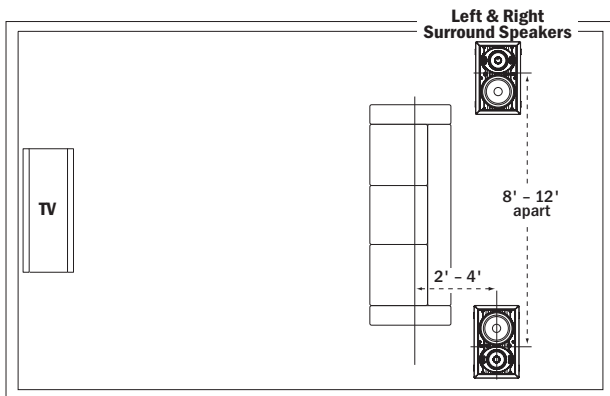


**Illustration 3:** Rear Wall Surround Speaker Placement

**Ceiling mounting:** Locate the left and right surround speakers on the ceiling between 2 feet and 6 feet behind the listening position. The speakers should be between 6 feet and 10 feet apart, with their woofers towards the listeners.

- You can create a more diffuse, spacious surround effect by pivoting each speaker's Sonic Eye towards a wall or window, away from the listeners.

Use *Illustration 4* as a guide.

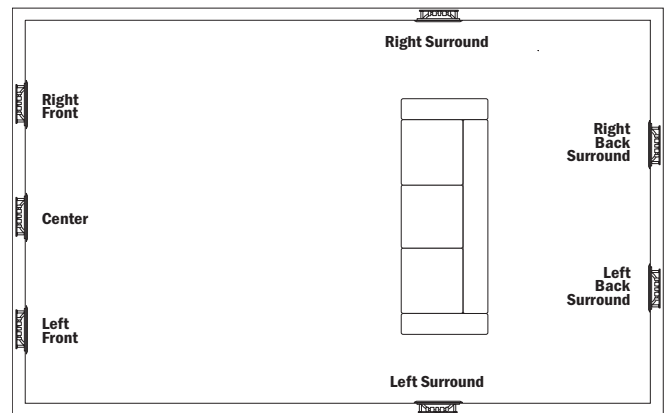


**Illustration 4:** Ceiling Surround Speaker Placement

## Home Theater Placement: Surround Speakers (7.1 Channels)

- Left & Right Surround Speakers:** Place the left and right surround speakers directly to the sides of the listening position, at least 5 feet from the floor.
- Surround Back Speakers:** Place the surround back speakers in the rear wall, between 3 feet and 6 feet apart and at least 5 feet from the floor.
- You can create a more diffuse, spacious surround effect by pivoting each speaker's Sonic Eye away from the listeners.

Use *Illustration 5* as a guide.



**Illustration 5:** 7.1-Channel Speaker Placement

## 2-Channel Placement

Follow the directions in *Home Theater Placement: Left & Right Front Speakers*, on page 1.

## WIRE GAUGE

Extra resistance in the speaker wire can make speakers sound less dynamic and reduce definition of the bass frequencies. In extreme cases, it can even attenuate high frequencies. Also, amplifier power is wasted in wire with extra resistance, reducing your system's maximum output level.

To prevent degrading sound quality, the total wire resistance should be less than 10% of the speaker's impedance. This means that for an 8-ohm speaker, the total resistance of the wire should be less than 0.8 ohms.

Refer to the following table when selecting the proper wire gauge for your system:

Wire resistance in Ohms vs. length of cable run						
Distance in Feet	50'	100'	150'	200'	250'	300'
<b>20 gauge</b>	1.04	2.07	3.11	4.14	5.18	6.22
<b>18 gauge</b>	.65	1.30	1.96	2.61	3.26	3.91
<b>16 gauge</b>	.41	.82	1.22	1.63	2.04	2.45
<b>14 gauge</b>	.26	.52	.77	1.03	1.29	1.55
<b>12 gauge</b>	.16	.32	.49	.65	.81	.97
<b>10 gauge</b>	.10	.20	.31	.41	.51	.61



# INSTRUCTION MANUAL

## SONANCE VIRTUOSO® D-SERIES

### 8" IN-WALL SPEAKERS

## PREPARING THE INSTALLATION LOCATION

All Sonance speakers are designed to be relatively insensitive to variations in enclosure volume. To achieve the ultimate performance from your speakers, a section of the ceiling bay can be sectioned-off to form a back box. Building such an enclosure will create a dramatic improvement in your speakers' bass performance and power handling.

### Ideal back box volume requirements:

Virtuoso V834D:	2.5 ft <sup>3</sup>	Virtuoso V832D:	2.0 ft <sup>3</sup>
Virtuoso V833D:	2.2 ft <sup>3</sup>	Virtuoso V831D:	2.0 ft <sup>3</sup>

## Insulating the Wall Cavity

You can reduce sound transmission to adjacent rooms and further improve speaker performance by inserting a sheet of unfaced fiberglass insulation over the back of the speaker.

To reduce noise produced by unsupported drywall, install fiberglass insulation in the stud bays adjacent to the speaker location.

## Optional Virtuoso Retrofit Enclosures

For installations where it isn't possible to section-off the stud bay to form a back box (such as when you're retrofitting the speakers into an existing wall), you can effectively reduce sound transmission into adjacent rooms by fitting the speakers with optional Virtuoso Retrofit Enclosures (part# 92242). This enclosure is designed specifically to be used with Virtuoso D speakers, and will noticeably reduce sound "spillover" from the rears of the speakers into adjacent rooms and spaces.

## INSTALLING THE SPEAKERS

### Before Installation: New Construction

For installations in new construction, Sonance recommends using a Virtuoso FlexBracket (part# 92246) to reserve a location for the speaker. The FlexBracket is nailed or screwed to the studs and serves as a guide for the drywaller so that the speaker hole will be in the desired location once the drywall is installed.

### Before Installation: Retrofit

1. Determine the location for the speaker (see *Speaker Placement* on page 1).
2. Perform an obstruction survey to be certain that there are no studs, conduit, pipes, heating ducts or air returns that will interfere with the speaker.
3. The cutout for all Virtuoso D-series speakers is 8<sup>7</sup>/<sub>16</sub>" (214mm) wide and 14<sup>1</sup>/<sub>2</sub>" (368mm) high. There also must be at least 3<sup>7</sup>/<sub>8</sub>" (99mm) depth within the wall for the speaker.
4. Position the included cutout template where the speaker is to be located and pencil an outline on the wall.
  - If you are unsure about obstructions, drill a small hole in the center of the outline and insert a coat hanger wire into the hole to feel-around for possible obstructions.
5. Cut the hole using a drywall saw, and run the speaker wires.

### Before Installation: IR Knockout

All Sonance Virtuoso D-series speakers have a knockout for installing an IR receiver into the speaker's front baffle. This remote controls to be aimed at the front of the room instead of at the electronics, in systems where the electronics may be placed in an inconvenient location.

The knockout is in the form of a bolt and retaining nut. To remove the knockout, unscrew the nut (located behind the baffle) and remove the bolt. The hole is designed to receive a Sonance SMR1 or SMR1P Surface-Mount IR receiver. Insert the IR receiver through the front of the speaker baffle and use the nut included with the receiver to fasten it to the baffle.

**Note:** *The speaker's grille may reduce the effectiveness of the IR receiver. If this occurs, slightly enlarge the holes in the grille that are directly in front of the IR receiver.*

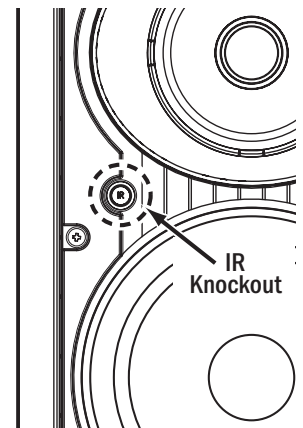


Illustration 6: IR Knockout

## Installation

Sonance Virtuoso D-series speakers feature exclusive FastMount® tabs and an integral RotoLock® mounting system for quick mounting directly into existing walls (see *Illustration 8*, on page 4).

**WARNING:** *The edges of FastMount tabs are very sharp. Use caution when handling the speaker.*

1. Remove the paint plug from the speaker. Connect the speaker wire to the terminals on the speaker. (The V834D has two sets of "+" and "-" terminals (see below). You can use either set.) Double-check that you connected amplifier + to speaker + and amplifier - to speaker -.
- Note:** *The V834D can be bi-wired by removing the jumpers between the LF and MF/HF "+" and "-" terminals, and connecting two sets of speaker wires from the amplifier, one to each set of terminals.*
2. Make sure all the RotoLock clamps are in the full clockwise position so that they are tucked within the mounting hole's border. Insert the speaker into the hole in the ceiling. The RotoLock system can accommodate a maximum wall material thickness of 1<sup>1</sup>/<sub>4</sub>".
  - The FastMount tabs will prevent the speaker from falling out of the mounting hole, allowing the installer to let go of the speaker to pick-up tools or other items (see *Illustration 8*).

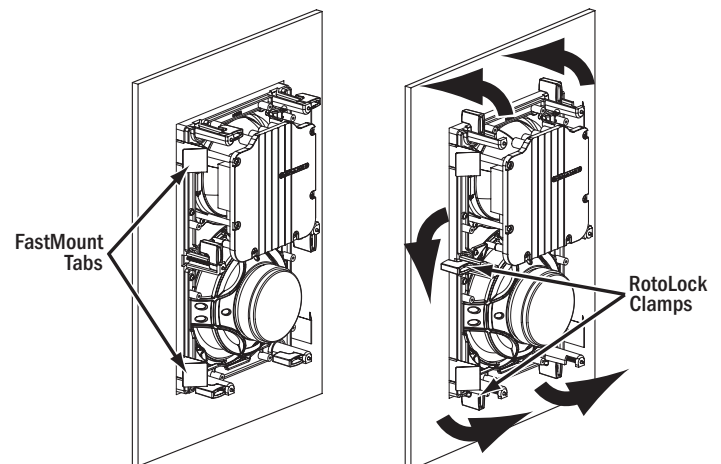


Illustration 8: Virtuoso D Installation

**Note:** *The FastMount tabs are designed for one-time use only. If the speaker is removed from the mounting hole the FastMount tabs will disconnect and remain inside the wall.*



# INSTRUCTION MANUAL

## SONANCE VIRTUOSO® D-SERIES

### 8" IN-WALL SPEAKERS

3. Tighten the six screws on the front of the speaker baffle. The RotoLock clamps will automatically rotate into position and begin clamping the speaker (see *Illustration 8*).

- When you notice resistance on the screws the speaker has been clamped successfully.

**Note: The speaker flange is designed to flex and conform to any small imperfections in the ceiling surface. Do not tighten the screws so much so that the flange bows-out.**

**Important: Always use low-torque settings; NEVER over-tighten.**

4. Attach the grille after the speaker has been installed. Insert about half of the grille into the groove at the edge of the speaker. Gently fit the remaining half of the grille by working around the speaker, fitting the grille into the groove as you go.

**Note: You can adjust the torque applied to the RotoLock screws to achieve a proper grille fit.**

## PAINTING THE SPEAKERS AND GRILLES

You can paint the speakers and grilles before installing them, which will eliminate the “paint scar” if the speaker ever needs to be removed for service. You can also paint the speakers after installation, but before the grilles are attached. All Virtuoso D-series speakers come from the factory fitted with a plastic ‘paint plug’. Use the paint plug to protect the speaker drivers while the flange is being painted along with the wall.

Sonance always suggests painting the grille separately from the speaker. Before painting, carefully remove the under-grille cloth. It is held in place with a light tacking glue that makes it easy to remove.

Spray the grilles with thinned paint (5 parts thinner to 1 part paint), being careful not to plug the holes. Too heavy a coat of paint on the grille will adversely affect the sound of the speaker.

Once the grilles and flange are painted and dry, replace the under-grille cloth, remove the paint plug from the speaker flange and install the grille.

## ADJUSTING YOUR SPEAKERS

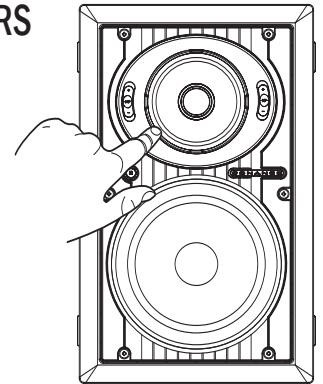
### Pivoting Sonic Eye®

All Virtuoso D-series speakers have a pivoting Sonic Eye® (midrange/tweeter assembly). These pivoting drivers allow you to direct sound toward or away from the listening area.

If you’re using the speakers in stereo or as the front L/C/R speakers in a home theater, pivot the Sonic Eye directly towards the listening area. This can be especially helpful if the speakers are widely-separated and the music fails to blend into a central sonic image.

If you’re using the speakers as surround channel speakers in a home theater, you can create a more diffuse, spacious surround effect by aiming the Sonic Eye towards a wall or window, away from the listeners.

To pivot the Sonic Eye, apply light pressure to the outside edge of the midrange, as shown in *Illustration 9*. Do not apply pressure to the midrange cone or the tweeter dome.

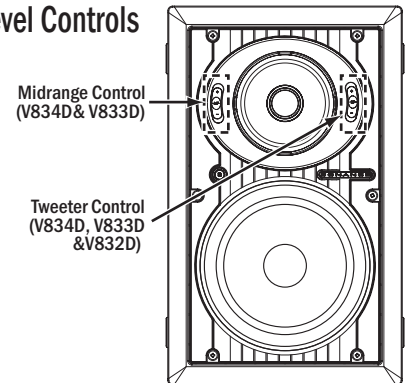


**Illustration 9:**  
**Pivoting the Sonic Eye**

### Tweeter and Midrange Level Controls

The Virtuoso V832D, V833D and V834D have a tweeter level control switch that lets you boost or cut the tweeter’s level by 3dB. The V833D and V834D also have a midrange level control that lets you boost or cut the midrange level by 3dB. (See *Illustration 10*.)

Once you have installed the speakers, listen to a variety of music that you are familiar with. If the music *all* tends to sound too bright or dull, use the Tweeter Control to compensate. If the music *all* tends to have too much or too little presence, use the Midrange Control to compensate. If some recordings sound dull or lack presence and some sound bright and have too much presence, the speaker is accurately reproducing differences in the recordings, and you should leave the control in the middle (0dB) position.



**Illustration 10:**  
**Tweeter and Midrange Level Controls**



# INSTRUCTION MANUAL

## SONANCE VIRTUOSO® D-SERIES

### 8" IN-WALL SPEAKERS

## SPECIFICATIONS

### V834D

Tweeter:	1" (25mm) Beryllium dome, Ferrofluid cooled, pivoting
Midrange:	4" (102mm) Beryllium cone, rubber surround, pivoting
Woofers:	8" (203mm) Beryllium cone, rubber surround
Frequency Response:	30Hz – 20kHz ±3dB
Impedance:	6 Ohms nominal; 4 Ohms minimum
Power Handling:	5 Watts minimum; 175 Watts maximum
Sensitivity:	91dB SPL (2.83V 1 meter)
Grille Material:	Perforated Aluminum
Adjustments:	Tweeter and midrange level (±3dB)
Dimensions (H x W x D):	9 <sup>7</sup> / <sub>8</sub> " x 15 <sup>15</sup> / <sub>16</sub> " x 3 <sup>7</sup> / <sub>8</sub> " (251mm x 405mm x 99mm)
Cutout Dim (W x H):	8 <sup>7</sup> / <sub>16</sub> " x 14 <sup>1</sup> / <sub>2</sub> " (214mm x 368mm)
Shipping Weight:	22 lbs. (10kg) Pair

### V833D

Tweeter:	1" (25mm) Silk dome, Ferrofluid cooled, pivoting
Midrange:	4" (102mm) Carbon Fiber cone, rubber surround, pivoting
Woofers:	8" (203mm) Carbon Fiber cone, rubber surround
Frequency Response:	32Hz – 20kHz ±3dB
Impedance:	6 Ohms nominal; 4 Ohms minimum
Power Handling:	5 Watts minimum; 150 Watts maximum
SPL:	91dB SPL (2.83V 1 meter)
Grille Material:	Perforated Aluminum
Adjustments:	Tweeter and midrange level (±3dB)
Dimensions (H x W x D):	9 <sup>7</sup> / <sub>8</sub> " x 15 <sup>15</sup> / <sub>16</sub> " x 3 <sup>7</sup> / <sub>8</sub> " (251mm x 405mm x 99mm)
Cutout Dim (W x H):	8 <sup>7</sup> / <sub>16</sub> " x 14 <sup>1</sup> / <sub>2</sub> " (214mm x 368mm)
Shipping Weight:	20 lbs. (9kg) Pair

### V832D

Tweeter:	1" (25mm) Silk dome, Ferrofluid cooled, pivoting
Midrange:	4" (102mm) Polypropylene cone, rubber surround, pivoting
Woofers:	8" (203mm) Polypropylene cone, rubber surround
Frequency Response:	38Hz – 20kHz ±3dB
Impedance:	8 Ohms nominal; 6 Ohms minimum
Power Handling:	5 Watts minimum; 125 Watts maximum
Sensitivity:	90dB SPL (2.83V 1 meter)
Grille Material:	Perforated Aluminum
Adjustments:	Tweeter level (±3dB)
Dimensions (H x W x D):	9 <sup>7</sup> / <sub>8</sub> " x 15 <sup>15</sup> / <sub>16</sub> " x 3 <sup>7</sup> / <sub>8</sub> " (251mm x 405mm x 99mm)
Cutout Dim (W x H):	8 <sup>7</sup> / <sub>16</sub> " x 14 <sup>1</sup> / <sub>2</sub> " (214mm x 368mm)
Shipping Weight:	20 lbs. (9kg) Pair

### V831D

Tweeter:	¾" (19mm) Silk dome, Ferrofluid cooled, pivoting
Midrange:	4" (102mm) Polypropylene cone, rubber surround, pivoting
Woofers:	8" (203mm) Polypropylene cone, rubber surround
Frequency Response:	45Hz – 20kHz ±3dB
Impedance:	8 ohms nominal; 6 ohms minimum
Power Handling:	5 Watts minimum; 100 Watts maximum
Sensitivity:	89dB SPL (2.83V 1 meter)
Grille Material:	Perforated Aluminum
Adjustments:	None
Dimensions (H x W x D):	9 <sup>7</sup> / <sub>8</sub> " x 15 <sup>15</sup> / <sub>16</sub> " x 3 <sup>7</sup> / <sub>8</sub> " (251mm x 405mm x 99mm)
Cutout Dim (W x H):	8 <sup>7</sup> / <sub>16</sub> " x 14 <sup>1</sup> / <sub>2</sub> " (214mm x 368mm)
Shipping Weight:	16 lbs. (7.3kg) Pair

## TECHNICAL ASSISTANCE AND SERVICE

*If you any have questions about the operation or installation of this product, please call our Technical Assistance Department on any business day at (800) 582-0772 or (949) 492-7777; from 7 a.m. to 5 p.m., PST.*

If your speakers should need repair or service, contact your Sonance Authorized Dealer for help, or use the following procedure:

1. Prior to calling note the product's model number, serial number, purchase date, and the name and address of the dealer where you purchased the product.
2. Contact our Technical Assistance Department at the above number(s) and describe the problem the unit is experiencing. If applicable, they will issue a Return Authorization Number.
3. If you're directed to return the unit to Sonance for repair, pack the unit in its original shipping carton. If needed, you can obtain replacement packaging from us for a small charge. Note: it is best if you place the box into an additional outer "overcarton" before shipment to minimize a chance of theft in shipment. Please include a copy of the original bill of sale inside the package.
4. Contact a package delivery service such as United Parcel Service or Federal Express to arrange prepaid (not collect) shipping. Do not use the U.S. Postal Service.

IMPORTANT: Freight collect shipments will be refused.

**5. Write the Return Authorization Number on the outside of the shipping carton.**

6. Ship the packaged unit to:

Quality Assurance Department  
 Sonance  
 212 Avenida Fabricante  
 San Clemente, CA 92672-7531



# INSTRUCTION MANUAL

## SONANCE VIRTUOSO® D-SERIES

### 8" IN-WALL SPEAKERS

#### LIMITED LIFETIME WARRANTY COVERAGE (U.S. ONLY)

Sonance warrants to the original retail purchaser only that this Sonance product will be free from defects in materials and workmanship, provided the speaker was purchased from a Sonance Authorized Dealer.

Defective products must be shipped, together with proof of purchase, prepaid insured to the Authorized Sonance Dealer from whom they were purchased, or to the Sonance factory at the address listed on this instruction manual. Freight collect shipments will be refused. It is preferable to ship this product in the original shipping container to lessen the chance of transit damage. In any case, the risk or loss or damage in transit is to be borne by the purchaser. If upon examination at the factory or Authorized Sonance Dealer it is determined that the unit was defective in materials or workmanship at any time during this warranty period, Sonance or the Authorized Sonance Dealer will, at its option, repair or replace this product at no additional charge, except as set forth below. If this model is no longer available and cannot be repaired effectively, Sonance, at its sole option, may replace the unit with a current model of equal or greater value. In some cases where a new model is substituted, a modification to the mounting surface may be required. If mounting surface modification is required, Sonance assumes no responsibility or liability for such modification. All replaced parts and product become the property of Sonance. Products replaced or repaired under this warranty will be returned to the original retail purchaser, within a reasonable time, freight prepaid.

This Warranty does not include service or parts to repair damage caused by accident, disaster, misuse, abuse, negligence, inadequate packing or shipping procedures, commercial use, voltage inputs in excess of the

rated maximum of the unit, or service, repair or modification of the product which has not been authorized or approved by Sonance. This Warranty also excludes normal cosmetic deterioration caused by environmental conditions. This Warranty will be void if the Serial Number on the product has been removed, tampered-with or defaced. This Warranty is in lieu of all other expressed warranties. If the product is defective in materials or workmanship as warranted above, the purchaser's sole remedy shall be repair or replacement as provided above. In no event will Sonance be liable for any incidental or consequential damages arising out of the use or inability to use the product, even if Sonance or an Authorized Sonance Dealer has been advised of the possibility of such damages, or for any claim by any other party.

Some states do not allow the exclusion or limitation of consequential damages, so the above limitation and exclusion may not apply. All implied warranties on the product are limited to the duration of this expressed Warranty. Some states do not allow limitation on the length of an implied warranty. If the original retail purchaser resides in such a state, this limitation does not apply.

#### EXCLUSIONS AND LIMITATIONS

The warranty set forth above is in lieu of all other warranties, express or implied, of merchantability, fitness for a particular purpose, or otherwise. The warranty is limited to Sonance products registered herein and specifically excludes any damage to loudspeakers and other allied or associated equipment which may result for any reason from use with this product. Sonance shall, in no event, be liable for incidental or consequential damages arising from any breach of this warranty or otherwise. This warranty gives you specific legal rights, and you may have other rights which vary from state to state.

©2006 Sonance. All rights reserved.

Sonance, Sonance Virtuoso, RotoLock, Sonic Eye, Sonafill and FastMount are trademarks or registered trademarks of Dana Innovations.

Due to continuous product improvement, all features and specifications are subject to change without notice. For the latest Sonance product specification information visit our website: [www.sonance.com](http://www.sonance.com)

Sonance • 212 Avenida Fabricante • San Clemente, CA 92672-7531, USA • (800) 582-7777 or (949) 492-7777 • FAX: (949) 361-5151 • Technical Support: (800) 582-0772

[www.sonance.com](http://www.sonance.com)

33-3982 04/06