

Virtuoso V833SSDR

Sonance Virtuoso® SSSDR-Series Single-Stereo Speakers

Sonance Virtuoso® SSSDR-Series Speakers

Sonance Virtuoso SSSDR® speakers combine the outputs of your amplifier's left and right stereo channels, and play both signals from just one speaker. Totally redesigned for 2006, these new Virtuoso SSSDR speakers incorporate advanced driver materials and technology that give them stunning musical performance.

Virtuoso SSSDR speakers are ideal for use in hallways, bathrooms, closets, or any location where a pair of stereo speakers would be impractical. The Virtuoso SSSDR's innovative fully-pivoting design delivers outstanding musical performance from a wide variety of challenging installation locations.

Features:

- Completely redesigned for 2006 with dramatically improved sound quality and quicker/easier installation.
- Fully-pivoting woofer assembly directs sound at listeners, for superior sound even when placement options are limited.
- Advanced driver materials deliver extremely accurate musical performance.
- 8" Diameter woofers deliver deep, powerful bass.
- Graphite-Reinforced ABS (GRABS) woofer baskets reduce resonances.
- 3-Position midrange and tweeter adjustment switches (V833SSDR).
- Exclusive new FastMount® tabs hold speaker in the mounting hole during installation, allowing installer to let go of the speaker to pick-up tools or other items.
- RotoLock® mounting system simplifies installation.
- Paintable aluminum grilles.
- Optional Retrofit Enclosure reduces sound spillover from rear of speaker into adjacent spaces.

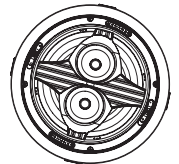


212 Avenida Fabricante
San Clemente, CA 92672-7531 USA
(800) 582-7777 or (949) 492-7777
FAX: (949) 361-5151
Technical Support: (800) 582-0772
www.sonance.com

SPECIFICATIONS

V833SSDR

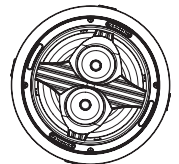
Tweeter:	Two ¾" (19mm) Silk domes, Ferrofluid cooled
Midrange:	Two 3" (76mm) Carbon Fiber cones, rubber surrounds
Woofer:	8" (203mm) Carbon Fiber cone, dual voice coil, rubber surround, pivoting
Frequency Response:	32Hz – 20kHz ±3dB
Impedance:	6 Ohms nominal; 4 Ohms minimum
Power Handling:	5 Watts minimum; 150 Watts maximum
SPL:	91dB SPL (2.83V 1 meter)
Grille Material:	Perforated Aluminum
Adjustments:	Tweeter and midrange level (±3dB)
Dimensions (Dia. x D):	11¼" x 6" (286mm x 152mm)
Cutout Diameter:	10⅞" (257mm)
Shipping Weight:	10 lbs. (4.5kg) Each



Virtuoso V833SSDR

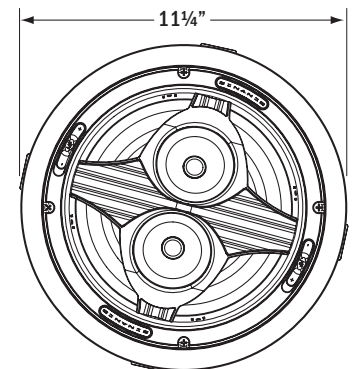
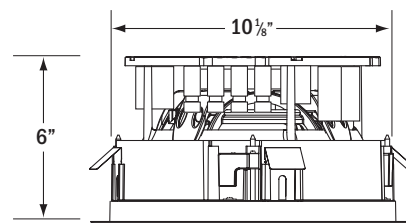
V831SSDR

Tweeter:	Two ¾" (19mm) Silk domes, Ferrofluid cooled
Midrange:	Two 3" (76mm) Polypropylene cones, rubber surrounds
Woofer:	8" (203mm) Polypropylene cone, dual voice coil, rubber surround, pivoting
Frequency Response:	45Hz – 20kHz ±3dB
Impedance:	8 ohms nominal; 6 ohms minimum
Power Handling:	5 Watts minimum; 100 Watts maximum
Sensitivity:	89dB SPL (2.83V 1 meter)
Grille Material:	Perforated Aluminum
Adjustments:	None
Dimensions (Dia. x D):	11¼" x 6" (286mm x 152mm)
Cutout Diameter:	10⅞" (257mm)
Shipping Weight:	8 lbs. (3.6kg) Each



Virtuoso V831SSDR

DIMENSIONS (all Virtuoso SSSDR-Series speakers)



Optional Accessories:

Virtuoso_{DR} FlexBracket (part# 92247): Plastic template to reserve a mounting hole for the speaker in new construction. *Note: Not for use with Architectural Finish Installation Kits.*

Virtuoso_{DR} Coverplate (part# 92245): Covers the hole made by the FlexBracket during construction until the speaker is installed.

Virtuoso_{DR} Retrofit Enclosure (part# 92243): Molded enclosure that reduces sound transmission into adjacent rooms and spaces. Can be used in both new construction and retrofit installations.

Virtuoso_{DR} Fire-Rated Back Can (part# 91908): Meets ASTM E 119 and UL2043 criteria for commercial installations.